

Pressure sensor CANopen, models D-20-9 and D-21-9

EN

Drucksensor CANopen, Typen D-20-9 und D-21-9

DE

Capteur de pression CANopen, Typen D-20-9 und D-21-9

FR

Sensor de presión CANopen, Typen D-20-9 und D-21-9

ES



Model D-20-9

Model D-21-9

<b>EN</b>	<b>Operating instructions, models D-20-9 and D-21-9</b>	<b>Page</b>	<b>3 - 24</b>
<b>DE</b>	<b>Betriebsanleitung, Typen D-20-9 und D-21-9</b>	<b>Seite</b>	<b>25 - 46</b>
<b>FR</b>	<b>Mode d'emploi, Types D-20-9 e D-21-9</b>	<b>Page</b>	<b>47 - 68</b>
<b>ES</b>	<b>Manual de instrucciones, modelos D-20-9 y D-21-9</b>	<b>Página</b>	<b>69 - 91</b>

© 2006 WIKA Alexander Wiegand SE & Co. KG  
 All rights reserved. / Alle Rechte vorbehalten.  
 WIKA® is a registered trademark in various countries.  
 WIKA® ist eine geschützte Marke in verschiedenen Ländern.

Prior to starting any work, read the operating instructions!  
 Keep for later use!

Vor Beginn aller Arbeiten Betriebsanleitung lesen!  
 Zum späteren Gebrauch aufbewahren!

Lire le mode d'emploi avant de commencer toute opération !  
 A conserver pour une utilisation ultérieure !

¡Leer el manual de instrucciones antes de comenzar cualquier trabajo!  
 ¡Guardar el manual para una eventual consulta!

# Contents

<b>1. General information</b>	<b>4</b>
<b>2. Design and function</b>	<b>5</b>
<b>3. Safety</b>	<b>6</b>
<b>4. Transport, packaging and storage</b>	<b>9</b>
<b>5. Commissioning, operation</b>	<b>9</b>
<b>6. Faults</b>	<b>14</b>
<b>7. Maintenance and cleaning</b>	<b>17</b>
<b>8. Dismounting, return and disposal</b>	<b>17</b>
<b>9. Specifications</b>	<b>19</b>

Declarations of conformity can be found online at [www.wika.com](http://www.wika.com)

## 1. General information

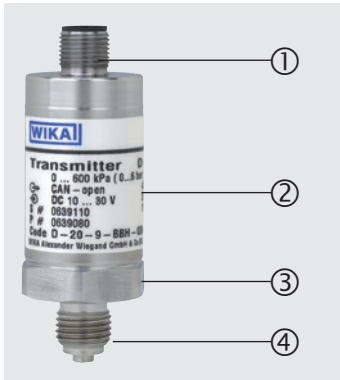
### 1. General information

- The instrument described in the operating instructions has been designed and manufactured using state-of-the-art technology. All components are subject to stringent quality and environmental criteria during production. Our management systems are certified to ISO 9001 and ISO 14001.
- These operating instructions contain important information on handling the instrument. Working safely requires that all safety instructions and work instructions are observed.
- Observe the relevant local accident prevention regulations and general safety regulations for the instrument's range of use.
- The operating instructions are part of the product and must be kept in the immediate vicinity of the instrument and readily accessible to skilled personnel at any time. Pass the operating instructions on to the next operator or owner of the instrument.
- Skilled personnel must have carefully read and understood the operating instructions prior to beginning any work.
- The manufacturer's liability is void in the case of any damage caused by using the product contrary to its intended use, non-compliance with these operating instructions, assignment of insufficiently qualified skilled personnel or unauthorised modifications to the instrument.
- The general terms and conditions contained in the sales documentation shall apply.
- Subject to technical modifications.
- Further information:
  - Internet address: [www.wika.de](http://www.wika.de) / [www.wika.com](http://www.wika.com)
  - Relevant data sheet: PE 81.39
  - Application consultant: Tel.: +49 9372 132-0  
Fax: +49 9372 132-406  
[info@wika.de](mailto:info@wika.de)

## 2. Design and function

## 2. Design and function

### 2.1 Overview



- ① Electrical connection (depending on version)
- ② Case; product label
- ③ Process connection, spanner flats
- ④ Process connection, thread (depending on version)

Model D-20-9:  
Process connection with pressure port

Model D-21-9:  
Process connection with flush diaphragm for highly viscous or crystallising media that may clog the process connections with pressure port.

### 2.2 Scope of delivery

- Pressure sensor
- Protection cap for process connection
- Operating instructions

Cross-check scope of delivery with delivery note.

## 3. Safety

### 3. Safety

#### 3.1 Explanation of symbols

EN



##### **WARNING!**

... indicates a potentially dangerous situation that can result in serious injury or death, if not avoided.



##### **CAUTION!**

... indicates a potentially dangerous situation that can result in light injuries or damage to property or the environment, if not avoided.



##### **Information**

... points out useful tips, recommendations and information for efficient and trouble-free operation.

#### 3.2 Intended use

The pressure sensor is used for measuring pressure. The measured pressure is output as an electrical signal.

This is class B equipment for emissions and is intended for use in industrial environments. In other environments, e.g. residential or commercial installations, it can interfere with other equipment under certain conditions. In such circumstances the operator is expected to take the appropriate measures.

Only use the pressure sensor in applications that lie within its technical performance limits (e.g. max. ambient temperature, material compatibility, ...).

→ For performance limits see chapter 9 "Specifications".

The instrument has been designed and built solely for the intended use described here, and may only be used accordingly.

The manufacturer shall not be liable for claims of any type based on operation contrary to the intended use.

## 3. Safety

### 3.3 Improper use



#### **WARNING!**

#### **Injuries through improper use**

Improper use of the instrument can lead to hazardous situations and injuries.

- ▶ Refrain from unauthorised modifications to the instrument.
- ▶ Do not use the instrument within hazardous areas.
- ▶ Do not use the model D-20-9 with abrasive or viscous media.

Any use beyond or different to the intended use is considered as improper use.

Do not use this instrument in safety or emergency stop devices.

### 3.4 Special hazards



#### **WARNING!**

For hazardous media such as oxygen, acetylene, flammable or toxic gases or liquids, and refrigeration plants, compressors, etc., in addition to all standard regulations, the appropriate existing codes or regulations must also be followed.



#### **WARNING!**

Residual media in dismantled pressure transmitters can result in a risk to persons, the environment and equipment.

Take sufficient precautionary measures.

### 3.5 Personnel qualification

#### **Skilled personnel**

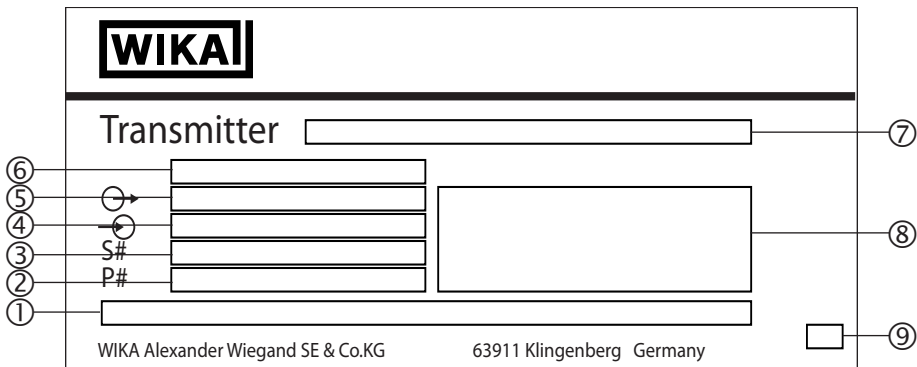
Skilled personnel, authorised by the operator, are understood to be personnel who, based on their technical training, knowledge of measurement and control technology and on their experience and knowledge of country-specific regulations, current standards and directives, are capable of carrying out the work described and independently recognising potential hazards.

## 3. Safety

### 3.6 Labelling, safety marks

#### Product label

EN



- |                  |                             |
|------------------|-----------------------------|
| ① Model code     | ⑥ Measuring range           |
| ② P# Article no. | ⑦ Model designation         |
| ③ S# Serial no.  | ⑧ Pin assignment            |
| ④ Power supply   | ⑨ Coded date of manufacture |
| ⑤ Output signal  |                             |



Before mounting and commissioning the instrument, ensure you read the operating instructions!



DC voltage



## 4. Transport, packaging and storage / 5. Commissioning, operation

### 4. Transport, packaging and storage

#### 4.1 Transport

Check the pressure sensor for any damage that may have been caused by transport. Obvious damage must be reported immediately.

#### 4.2 Packaging and storage

Do not remove packaging until just before mounting. Keep the packaging as it will provide optimum protection during transport (e.g. change in installation site, sending for repair).

In order to protect the diaphragm, provide the process connection of the model D-21-9 with the supplied protection cap.

#### Permissible conditions at the place of storage:

- Storage temperature: -40 ... +100 °C
- Humidity: 45 ... 75 % relative humidity (no condensation)

### 5. Commissioning, operation

#### 5.1 Mechanical mounting

Only use the pressure sensor if it is in perfect condition with respect to safety. Prior to commissioning, the pressure sensor must be subjected to a visual inspection.

- Leaking fluid is indicative of damage.
- The diaphragm at the process connection of the model D-21-9 is a safety-relevant component and must not be damaged.

#### Requirements for mounting point

The mounting point must meet the following conditions:

- Sealing faces are clean and undamaged.
- Sufficient space for a safe electrical installation.
- For information on tapped holes and welding sockets, see Technical information IN 00.14 at [www.wika.com](http://www.wika.com).
- Permissible ambient and medium temperatures remain within the performance limits. Consider possible restrictions on the ambient temperature range caused by mating connector used.
  - For performance limits see chapter 9 "Specifications"

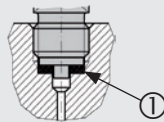
EN

## 5. Commissioning, operation

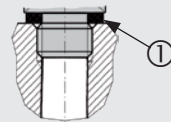
### Sealing variants

#### Parallel threads

Seal the sealing face ① with flat gasket, lens-type sealing ring or WIKA profile sealing.



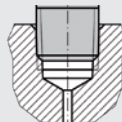
per EN 837



per DIN 3852-E

#### Tapered threads

Wrap threads with sealing material (e.g. PTFE tape).



NPT, R and PT



The max. torque depends on the mounting point (e.g. material and shape). If you have any questions, please contact our application consultant.  
→ For contact details see chapter 1 "General information" or the back page of the operating instructions.

1. Seal the sealing face (→ see "Sealing variants").
2. At the mounting point, screw the pressure sensor in hand-tight.
3. Tighten with a torque spanner using the spanner flats.

### 5.2 Electrical mounting

#### Requirements for voltage supply

→ For power supply see product label

The power supply for the pressure sensor must be made via an energy-limited electric circuit in accordance with section 9.4 of UL/EN/IEC 61010-1 or an LPS to UL/EN/IEC 60950-1 or class 2 in accordance with UL1310/UL1585 (NEC or CEC).

## 5. Commissioning, operation

### Requirements for electrical connection

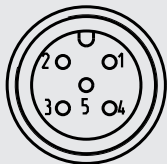
- Cable diameter matches the cable bushing of the mating connector.
- Cable gland and seals of the mating connector are correctly seated.
- With cable outlets, no humidity can ingress at the cable end.
- The IP ingress protection only applies when plugged in using mating connectors that have the appropriate IP ingress protection.

### Requirement for shielding and grounding

- The instrument must be grounded via the process connection.
- Use the instrument with shielded cable, and ground the shield on at least one end of the lead.

### Pin assignment (per CiA-DR 303-1)

#### Circular connector M12 x 1 (5-pin)



Shield	1
UB+	2
UB-	3
CAN-High	4
CAN-Low	5

EN

## 5. Commissioning, operation

Factory setting and DIP switch assignment (only for instruments with optional DIP switch)

EN

1	2	3	4	5	6	7	8	9	10		
<input checked="" type="checkbox"/>	<input checked="" type="checkbox"/>	<input checked="" type="checkbox"/>	<input type="checkbox"/>	<input type="checkbox"/>	<input type="checkbox"/>	<input checked="" type="checkbox"/>	<input type="checkbox"/>	<input checked="" type="checkbox"/>	<input checked="" type="checkbox"/>	1	
<input type="checkbox"/>	<input type="checkbox"/>	<input type="checkbox"/>	<input checked="" type="checkbox"/>	<input checked="" type="checkbox"/>	<input checked="" type="checkbox"/>	<input type="checkbox"/>	<input checked="" type="checkbox"/>	<input type="checkbox"/>	<input type="checkbox"/>	0	
$2^0$	$2^1$	$2^2$	$2^3$	$2^4$	$2^5$	$2^6$	$2^0$	$2^1$	$2^2$		
Node-ID 1 ... 127							Baud rate				
1	1	1	0	0	0	1	0	0	0	1000 kbit/s	
$1*2^0$	$1*2^1$	$1*2^2$	$0*2^3$	$0*2^4$	$0*2^5$	$1*2^6$	1	0	0	800 kbit/s	
1	2	4	0	0	0	64	0	1	0	500 kbit/s	
+							1	1	0	250 kbit/s	
= 71							0	0	1	1	125 kbit/s
Node-ID = 71 <sub>dec</sub> (47 <sub>hex</sub> )							1	0	1	1	100 kbit/s
							0	1	1	1	50 kbit/s
							1	1	1	1	20 kbit/s

Factory setting: Node ID = 1, baud rate = 250 kbit/s  
All DIP switches at 0: Setting from internal memory

## 5. Commissioning, operation

### 5.3 Commissioning of CANopen instruments

Connect the CAN interface (e.g. PEAK PCAN-USB) to the PC and the pressure transmitter.

Start the CAN software (e.g. PEAK PCAN-View).

Make sure that the correct bit rate and node ID of the pressure transmitter is used.



For further information see “Quick start guide” under “Additional instructions”

EN

### PDO structure

#### PDO message structure

ID Identifier	DLC 4	Byte 0 Process value	Byte 1	Byte 2	Byte 3
---------------	----------	-------------------------	--------	--------	--------

The structure of the synchronous and asynchronous PDO is identical.

The identifier of the PDO can be set under object 1800h.

Factory setting: 180h + node ID

Byte 0 to byte 3 contain the currently configured process value.

The coding corresponds to DS 301, chapter 9.1.4.5.

Byte 0 represents the “least significant byte” and byte 3 the “most significant byte”.

Factory setting: Object 20 90 subindex 0

The following INTEGER data type is used:

#### INTEGER data type

Octet number	0.	1.	2.	3.
INTEGER 32	$b_7 \dots b_0$	$b_{15} \dots b_8$	$b_{23} \dots b_{16}$	$b_{31} \dots b_{24}$

## 6. Faults

### 6. Faults



#### CAUTION!

##### Physical injuries and damage to property and the environment

If faults cannot be eliminated by means of the listed measures, the pressure sensor must be taken out of operation immediately.

- ▶ Ensure that pressure or signal is no longer present and protect against accidental commissioning.
- ▶ Contact the manufacturer.
- ▶ If a return is needed, please follow the instructions given in chapter 8.2 "Return".

#### WARNING!

##### Physical injuries and damage to property and the environment caused by hazardous media

Upon contact with hazardous media (e.g. oxygen, acetylene, flammable or toxic substances), harmful media (e.g. corrosive, toxic, carcinogenic, radioactive), and also with refrigeration plants and compressors, there is a danger of physical injuries and damage to property and the environment.

- ▶ Should a failure occur, aggressive media with extremely high temperature and under high pressure or vacuum may be present at the instrument.
- ▶ For these media, in addition to all standard regulations, the appropriate existing codes or regulations must also be followed.



For contact details see chapter 1 "General information" or the back page of the operating instructions.

In the event of any faults, first check whether the pressure sensor is mounted correctly, mechanically and electrically. If complaint is unjustified, the handling costs will be charged.

Faults	Causes	Measures
No/wrong output signal	Cable break	Check the continuity
	No/wrong power supply or current pulse	Correct the power supply, see product label
	Wiring error	Correct the pin assignment, see product label

## 6. Faults

Faults	Causes	Measures
Deviating zero point signal	Other mounting position	Correct the zero point via the controller or software
	Overload safety exceeded	Observe the permissible overload safety
	Too high/low working temperature	Observe the permissible temperatures
Constant output signal upon change in pressure	Mechanical overload caused by overpressure	Replace instrument; if it fails repeatedly, contact the manufacturer
	Wrong power supply or current pulse	Replace instrument; if it fails repeatedly, contact the manufacturer
Hot case surface	Internal short-circuit	Replace instrument
Signal span too small	Power supply too high/low	Correct the power supply, see product label
Signal span drops	Moisture has entered into the electrical connection	Install the electrical connection correctly
Signal span varies	EMC interference sources in the environment; for example, frequency converter	Shield instrument; cable shield; remove source of interference
	Pressure of the medium is fluctuating	Damping; consulting by the manufacturer
	Power supply is fluctuating	Stabilise the power supply and suppress interference
Signal span drops/too small	Mechanical overload caused by overpressure (e.g. diaphragm damaged)	Replace instrument; if it fails repeatedly, contact the manufacturer

EN

## 6. Faults

### Error coding (emergency messages)

The following tasks are only valid for error messaging which is sent via emergency messages.  
In the error register, only error 1 is supported (general error).

#### Emergency message (EMCY) (slave sends) Message structure

<b>ID</b> 80h + node ID	<b>DLC</b> 8	<b>Byte 0</b> LSB; emergency error coding	<b>Byte 1</b> MSB; emergency error coding	<b>Byte 2</b> Error register (1001h)
<b>Byte 3</b> Manufacturer-specific error	<b>Byte 4</b> Manufacturer-specific error	<b>Byte 5</b> Unused	<b>Byte 6</b> Unused	<b>Byte 7</b> Unused

Error code	Meaning
00 00h	No error
10 00h	General error
FF 00h	Instrument-specific error

Byte 3	Byte 4	Byte 5	Byte 6	Byte 7
XXXX XXX1: EPROM write error XXXX XX1X: Unused XXXX X1XX: Max. allowed pressure overrun XXXX 1XXX: Min. allowed pressure overrun	Internal error	00h Unused	00h Unused	00h Unused

EN



## 7. Maintenance and cleaning / 8. Dismounting, return and disposal

### 7. Maintenance and cleaning

#### 7.1 Maintenance

This pressure sensor is maintenance-free.

Repairs must only be carried out by the manufacturer.

#### 7.2 Cleaning



#### **CAUTION!**

##### **Unsuitable cleaning agents**

Cleaning with unsuitable cleaning agents may damage the instrument and the product label.

- ▶ Do not use any aggressive cleaning agents.
- ▶ Do not use any hard or pointed objects.
- ▶ Do not use any abrasive cloths or sponges.

##### **Suitable cleaning agents**

Water, conventional dishwashing detergent

##### **Cleaning the instrument**

1. Depressurise and de-energise the pressure sensor.
2. Wipe the instrument surface using a soft, damp cloth.

### 8. Dismounting, return and disposal

#### 8.1 Dismounting



#### **WARNING!**

##### **Physical injuries and damage to property and the environment caused by hazardous media**

Upon contact with hazardous media (e.g. oxygen, acetylene, flammable or toxic substances), harmful media (e.g. corrosive, toxic, carcinogenic, radioactive), and also with refrigeration plants and compressors, there is a danger of physical injuries and damage to property and the environment.

- ▶ Should a failure occur, aggressive media with extremely high temperature and under high pressure or vacuum may be present at the instrument.
- ▶ Wear the requisite protective equipment.

## 8. Dismounting, return and disposal

### Dismounting the instrument

1. Depressurise and de-energise the pressure sensor.
2. Disconnect the electrical connection.
3. Unscrew the pressure sensor with a spanner using the spanner flats.

### 8.2 Return

#### Strictly observe the following when shipping the instrument:

All instruments delivered to WIKA must be free from any kind of hazardous substances (acids, bases, solutions, etc.) and must therefore be cleaned before being returned.



#### WARNING!

##### Physical injuries and damage to property and the environment through residual media

Residual media in the dismantled instrument can result in a risk to persons, the environment and equipment.

- ▶ With hazardous substances, include the material safety data sheet for the corresponding medium.
- ▶ Clean the instrument, see chapter 7.2 "Cleaning".

When returning the instrument, use the original packaging or a suitable transport packaging.



Information on returns can be found under the heading "Service" on our local website.

### 8.3 Disposal

Incorrect disposal can put the environment at risk.

Dispose of instrument components and packaging materials in an environmentally compatible way and in accordance with the country-specific waste disposal regulations.



Do not dispose of with household waste. Ensure a proper disposal in accordance with national regulations.

## 9. Specifications

### 9. Specifications

#### Specifications

<b>Measuring ranges [bar]</b>	0.25	0.4	0.6	1	1.6	2.5	4	6	10	16
	25	40	60	100	160	250	400	600	1,000 (only for model D-20-9)	
<b>Overload safety</b>	Measuring ranges $\leq 1.6$ bar: 5-fold Measuring ranges 2.5 ... 16 bar: 4-fold (measuring range 10 bar: 3-fold) Measuring ranges 25 ... 600 bar: 2-fold Measuring range 1,000 bar: 1.5-fold									
<b>Material</b>	Wetted parts Model D-20-9: Stainless steel Model D-21-9: Stainless steel (option: Hastelloy); O-ring: NBR (option: FPM/FKM or EPDM)  Case: Stainless steel  For other materials, see WIKA diaphragm seals product range									
<b>Internal transmission fluid</b>	Synthetic oil Halocarbon oil for oxygen versions (option) Listed by FDA for food industry (option)  No transmission fluid for model D-20-9 with measuring range $> 25$ bar									
<b>Power supply U+</b>	DC 10 ... 30 V									
<b>Output signal</b>	CANopen protocol in accordance with CiA DS-301 V. 4.02, device profile DS-404 V. 1.2									
<b>Power consumption</b>	$< 0.5$ W $< 0.7$ W with galvanic isolation (option)									
<b>Communication services</b>	LSS (CiA DSP 305, version 1.1.1) services Configuration of the instrument address and baud rate Sync/Async, Node/Lifeguarding, Heartbeat Individually programmable filter in order to suppress, for example, specific resonant frequencies									
<b>Response time (10 ... 90 %)</b>	1.5 ms (baud rate $\geq 125$ K)									
<b>Internal measuring rate</b>	1.000 Hz (adjustable up to approx. 4 Hz)									
<b>Insulation voltage</b>	DC 500 V									

EN

## 9. Specifications

### Specifications

<b>Accuracy</b>	$\leq \pm 1\%$ of span
	$\leq \pm 0.5\%$ of span (option)
	$\leq \pm 0.3\%$ of span (option, not possible in combination with DIP switch)
	Including non-linearity, hysteresis, zero offset and end value deviation (corresponds to measured error per IEC 61298-2). Calibrated in vertical mounting position, process connection facing downwards.
	The existence of strong electromagnetic fields in a frequency range of $< 2.7$ GHz can result in increased measuring errors up to 1 % of span. Do not install the instruments in the vicinity of strong electromagnetic sources of interference (e.g. transmitting devices, radio equipment), or use sheath current filters where applicable.
<b>Non-linearity</b>	$\leq \pm 0.2\%$ of span (BFSL) per IEC 61298-2
<b>Non-repeatability</b>	$\leq 0.1\%$ of span
<b>Long-term stability</b>	$\leq \pm 0.2\%$ of span/year (at reference conditions)
<b>Permissible temperature ranges</b>	
Medium	-30 ... +100 °C -40 ... +125 °C (option)
Ambient	-20 ... +80 °C
Storage	-40 ... +100 °C
<b>Compensated temperature range</b>	0 ... 80 °C
<b>Temperature coefficients in the compensated temperature range</b>	
Mean TC of zero point	$\leq 0.2$ of span / 10 K
Mean TC of span	$\leq 0.2$ of span / 10 K
<b>Shock resistance</b>	500 g to IEC 60068-2-27 (mechanical shock)
<b>Vibration resistance</b>	Version with DIP switch: 20 g per IEC 60068-2-6 (vibration under resonance) Version without DIP switch: 10 g per IEC 60068-2-6 (vibration under resonance)
<b>Electrical safety</b>	Reverse polarity protection UB+ to UB-

## 9. Specifications

Specifications	
<b>Ingress protection</b>	IP67 The stated ingress protection only applies when plugged in using mating connectors that have the appropriate ingress protection.
<b>Weight</b>	approx. 200 g approx. 300 g with integrated Y-connector
<b>Restrictions for oxygen version</b>	Model D-21-9 not available. Model D-20-9 only possible with medium temperature -20 ... +60 °C and wetted parts in stainless steel or Elgiloy®.  Elgiloy® is a trademark of the company "Specialty Metals"
<b>EU declaration of conformity</b>	<ul style="list-style-type: none"><li>■ EMC directive, EN 61326 emission (group 1, class B) and immunity (industrial application)</li><li>■ Pressure equipment directive</li><li>■ RoHS directive</li></ul>

EN

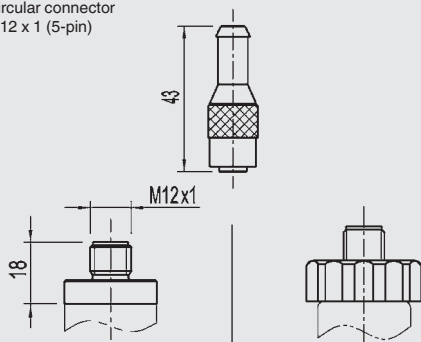
For further specifications see WIKA data sheet PE 81.39 and the order documentation.

## 9. Specifications

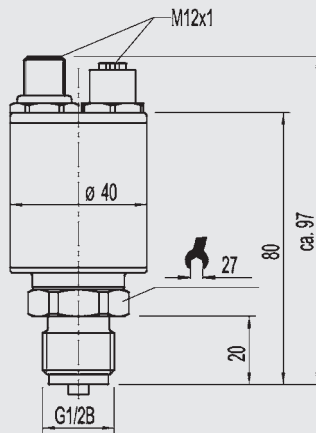
### Dimensions in mm

#### Electrical connections

Circular connector  
M12 x 1 (5-pin)

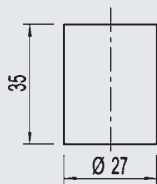


Two circular connectors M12 x 1 (5-pin)  
Male and female connector (with integrated Y-connector)

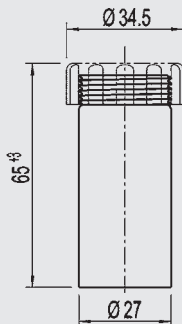


#### Case

Case with welded cover



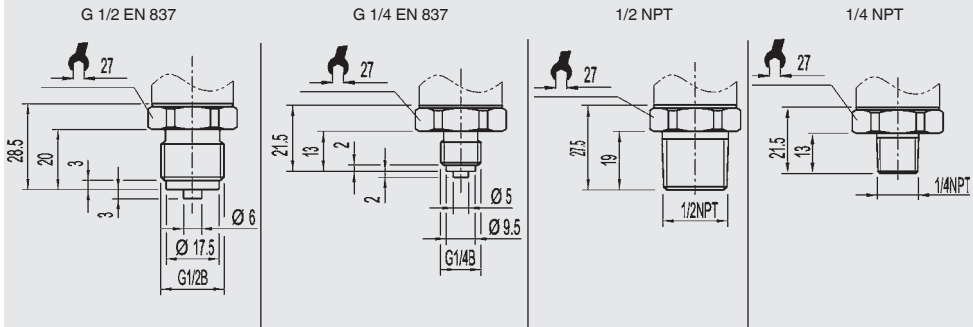
Case with option of DIP switches or  
galvanic isolation



The variant depicted here can be combined with all of the  
process connections listed.

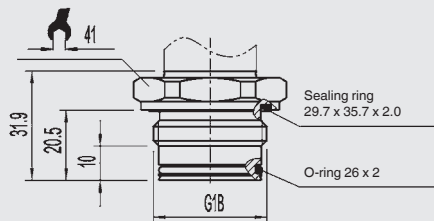
## 9. Specifications

### Process connections D-20-9

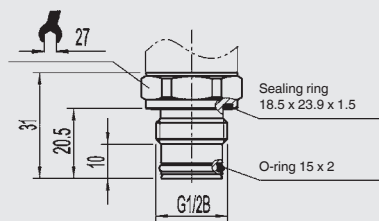


### Process connections D-21-9, flush

G 1  
0 ... 0.1 to 0 ... 1.6 bar



G 1/2  
from 1.6 bar







## Inhalt

<b>1. Allgemeines</b>	<b>26</b>
<b>2. Aufbau und Funktion</b>	<b>27</b>
<b>3. Sicherheit</b>	<b>28</b>
<b>4. Transport, Verpackung und Lagerung</b>	<b>31</b>
<b>5. Inbetriebnahme, Betrieb</b>	<b>31</b>
<b>6. Störungen</b>	<b>36</b>
<b>7. Wartung und Reinigung</b>	<b>39</b>
<b>8. Demontage, Rücksendung und Entsorgung</b>	<b>39</b>
<b>9. Technische Daten</b>	<b>41</b>

Konformitätserklärungen finden Sie online unter [www.wika.de](http://www.wika.de)

# 1. Allgemeines

## 1. Allgemeines

- Das in der Betriebsanleitung beschriebene Gerät wird nach dem aktuellen Stand der Technik konstruiert und gefertigt. Alle Komponenten unterliegen während der Fertigung strengen Qualitäts- und Umweltkriterien. Unsere Managementsysteme sind nach ISO 9001 und ISO 14001 zertifiziert.
- Diese Betriebsanleitung gibt wichtige Hinweise zum Umgang mit dem Gerät. Voraussetzung für sicheres Arbeiten ist die Einhaltung aller angegebenen Sicherheitshinweise und Handlungsanweisungen.
- Die für den Einsatzbereich des Gerätes geltenden örtlichen Unfallverhütungsvorschriften und allgemeinen Sicherheitsbestimmungen einhalten.
- Die Betriebsanleitung ist Produktbestandteil und muss in unmittelbarer Nähe des Gerätes für das Fachpersonal jederzeit zugänglich aufbewahrt werden. Betriebsanleitung an nachfolgende Benutzer oder Besitzer des Gerätes weitergeben.
- Das Fachpersonal muss die Betriebsanleitung vor Beginn aller Arbeiten sorgfältig durchgelesen und verstanden haben.
- Die Haftung des Herstellers erlischt bei Schäden durch bestimmungswidrige Verwendung, Nichtbeachten dieser Betriebsanleitung, Einsatz ungenügend qualifizierten Fachpersonals sowie eigenmächtiger Veränderung am Gerät.
- Es gelten die allgemeinen Geschäftsbedingungen in den Verkaufsunterlagen.
- Technische Änderungen vorbehalten.
- Weitere Informationen:
  - Internet-Adresse: [www.wika.de](http://www.wika.de) / [www.wika.com](http://www.wika.com)
  - Zugehöriges Datenblatt: PE 81.39
  - Anwendungsberater: Tel.: +49 9372 132-0  
Fax: +49 9372 132-406  
[info@wika.de](mailto:info@wika.de)

## 2. Aufbau und Funktion

## 2. Aufbau und Funktion

### 2.1 Überblick



- ① Elektrischer Anschluss (je nach Ausführung)
- ② Gehäuse; Typenschild
- ③ Prozessanschluss, Schlüsselfläche
- ④ Prozessanschluss, Gewinde (je nach Ausführung)

Typ D-20-9:

Prozessanschluss mit Kanalbohrung

Typ D-21-9:

Prozessanschluss mit frontbündiger Membrane für hochviskose oder kristallisierende Messstoffe, welche die Prozessanschlüsse mit Kanalbohrung zusetzen können.

### 2.2 Lieferumfang

- Drucksensor
- Schutzkappe für Prozessanschluss
- Betriebsanleitung

Lieferumfang mit dem Lieferschein abgleichen.

## 3. Sicherheit

### 3. Sicherheit

#### 3.1 Symbolerklärung



##### **WARNUNG!**

... weist auf eine möglicherweise gefährliche Situation hin, die zum Tod oder zu schweren Verletzungen führen kann, wenn sie nicht gemieden wird.



##### **VORSICHT!**

... weist auf eine möglicherweise gefährliche Situation hin, die zu geringfügigen oder leichten Verletzungen bzw. Sach- und Umweltschäden führen kann, wenn sie nicht gemieden wird.



##### **Information**

... hebt nützliche Tipps und Empfehlungen sowie Informationen für einen effizienten und störungsfreien Betrieb hervor.

#### 3.2 Bestimmungsgemäße Verwendung

Der Drucksensor dient der Messung von Druck. Der gemessene Druck wird als elektrisches Signal ausgegeben.

Dies ist eine Einrichtung der Klasse B für Störaussendung und ist für den Betrieb in industrieller Umgebung vorgesehen. In anderen Umgebungen, z. B. im Wohn- oder Gewerbebereich, kann sie unter Umständen andere Einrichtungen störend beeinflussen. In diesem Fall kann vom Betreiber verlangt werden, angemessene Maßnahmen durchzuführen.

Den Drucksensor nur in Anwendungen verwenden, die innerhalb seiner technischen Leistungsgrenzen liegen (z. B. max. Umgebungstemperatur, Materialverträglichkeit, ...).

→ Leistungsgrenzen siehe Kapitel 9 „Technische Daten“.

Das Gerät ist ausschließlich für den hier beschriebenen bestimmungsgemäßen Verwendungszweck konzipiert und konstruiert und darf nur dementsprechend verwendet werden.

Ansprüche jeglicher Art aufgrund von nicht bestimmungsgemäßer Verwendung sind ausgeschlossen.

## 3. Sicherheit

### 3.3 Fehlgebrauch



#### **WARNUNG!**

#### **Verletzungen durch Fehlgebrauch**

Fehlgebrauch des Gerätes kann zu gefährlichen Situationen und Verletzungen führen.

- ▶ Eigenmächtige Umbauten am Gerät unterlassen.
- ▶ Gerät nicht in explosionsgefährdeten Bereichen einsetzen.
- ▶ Typ D-20-9 nicht für abrasive und viskose Messstoffe verwenden.

Jede über die bestimmungsgemäße Verwendung hinausgehende oder andersartige Benutzung gilt als Fehlgebrauch.

Dieses Gerät nicht in Sicherheits- oder in Not-Aus-Einrichtungen benutzen.

### 2.3 Besondere Gefahren



#### **WARNUNG!**

Bei gefährlichen Messstoffen wie z. B. Sauerstoff, Acetylen, brennbaren oder giftigen Stoffen, sowie bei Kälteanlagen, Kompressoren etc. müssen über die gesamten allgemeinen Regeln hinaus die einschlägigen Vorschriften beachtet werden.



#### **WARNUNG!**

Messstoffreste in ausgebauten Drucksensoren können zur Gefährdung von Personen, Umwelt und Einrichtung führen.  
Ausreichende Vorsichtsmaßnahmen ergreifen.

### 3.4 Personalqualifikation

#### **Fachpersonal**

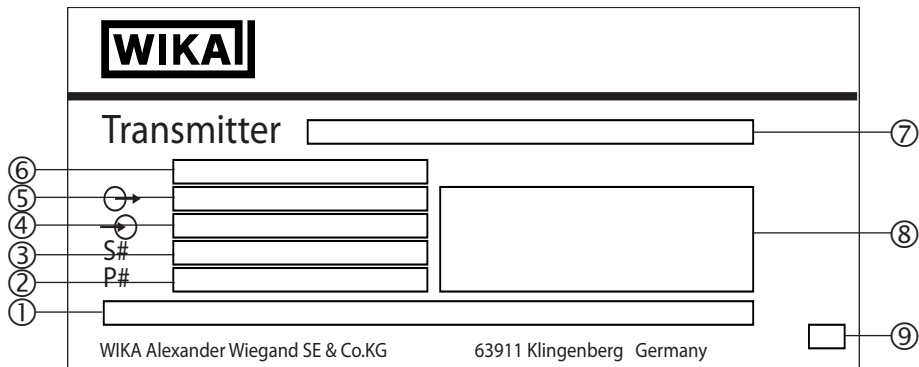
Das vom Betreiber autorisierte Fachpersonal ist aufgrund seiner fachlichen Ausbildung, seiner Kenntnisse der Mess- und Regelungstechnik und seiner Erfahrungen sowie Kenntnis der landesspezifischen Vorschriften, geltenden Normen und Richtlinien in der Lage, die beschriebenen Arbeiten auszuführen und mögliche Gefahren selbstständig zu erkennen.

## 3. Sicherheit

### 3.5 Beschilderung, Sicherheitskennzeichnungen

#### Typenschild

DE



- |                  |                           |
|------------------|---------------------------|
| ① Typcode        | ⑥ Messbereich             |
| ② P# Artikel-Nr. | ⑦ Typbezeichnung          |
| ③ S# Serien-Nr.  | ⑧ Anschlussbelegung       |
| ④ Hilfsenergie   | ⑨ Kodiertes Herstelldatum |
| ⑤ Ausgangssignal |                           |



Vor Montage und Inbetriebnahme des Gerätes unbedingt die Betriebsanleitung lesen!



Gleichspannung

## 4. Transport, Verpackung und Lagerung / 5. Inbetriebnahme, Betrieb

### 4. Transport, Verpackung und Lagerung

#### 4.1 Transport

Drucksensor auf eventuell vorhandene Transportschäden untersuchen.  
Offensichtliche Schäden unverzüglich mitteilen.

#### 4.2 Verpackung und Lagerung

Verpackung erst unmittelbar vor der Montage entfernen.

Die Verpackung aufbewahren, denn diese bietet bei einem Transport einen optimalen Schutz (z. B. wechselnder Einbauort, Reparatursendung).

Zum Schutz der Membrane den Prozessanschluss des Typs D-21-9 mit der mitgelieferten Schutzkappe versehen.

#### Zulässige Bedingungen am Lagerort:

- Lagertemperatur: -40 ... +100 °C
- Feuchte: 45 ... 75 % relative Feuchte (keine Betauung)

### 5. Inbetriebnahme, Betrieb

#### 5.1 Mechanische Montage

Den Drucksensor nur in sicherheitstechnisch einwandfreiem Zustand einsetzen.

Vor der Inbetriebnahme den Drucksensor optisch prüfen.

- Auslaufende Flüssigkeit weist auf eine Beschädigung hin.
- Die Membrane am Prozessanschluss des Typs D-21-9 ist ein sicherheitsrelevantes Bauteil und darf nicht beschädigt sein.

#### Anforderungen an Montagestelle

Die Montagestelle muss folgende Bedingungen erfüllen:

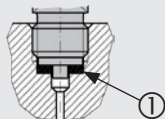
- Dichtflächen sind sauber und unbeschädigt.
- Ausreichend Platz für eine sichere elektrische Installation.
- Angaben zu Einschraublöchern und Einschweißstutzen siehe Technische Information IN 00.14 unter [www.wika.de](http://www.wika.de).
- Zulässige Umgebungs- und Messstofftemperaturen bleiben innerhalb der Leistungsgrenzen. Mögliche Einschränkungen des Umgebungstemperaturbereichs durch verwendeten Gegenstecker berücksichtigen.  
→ Leistungsgrenzen siehe Kapitel 9 „Technische Daten“

## 5. Inbetriebnahme, Betrieb

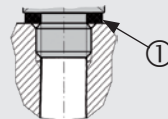
### Abdichtungsvarianten

#### Zylindrische Gewinde

Dichtfläche ① mit Flachdichtung, Dichtlinie oder WIKA-Profilabdichtung abdichten.



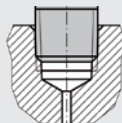
nach EN 837



nach DIN 3852-E

#### Kegelige Gewinde

Gewinde mit Dichtwerkstoff umwickeln (z. B. PTFE-Band).



NPT, R und PT



Der max. Drehmoment ist abhängig von der Montagestelle (z. B. Werkstoff und Form). Bei Fragen wenden Sie sich an unseren Anwendungsberater.

→ Kontaktdaten siehe Kapitel 1 „Allgemeines“ oder Rückseite der Betriebsanleitung.

1. Dichtfläche abdichten (→ siehe „Abdichtungsvarianten“).
2. Drucksensor handfest in Montagestelle einschrauben.
3. Mit Drehmomentschlüssel über Schlüssel­fläche anziehen.

### 5.2 Elektrische Montage

#### Anforderungen an Spannungsversorgung

→ Hilfsenergie siehe Typenschild

Die Versorgung des Drucksensors muss durch einen energiebegrenzten Stromkreis gemäß 9.4 der UL/EN/IEC 61010-1 oder LPS gemäß UL/EN/IEC 60950-1 oder Class 2 gemäß UL1310/UL1585 (NEC oder CEC) erfolgen.



## 5. Inbetriebnahme, Betrieb

### Anforderungen an elektrische Verbindung

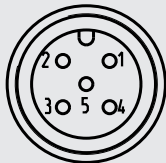
- Kabeldurchmesser passt zur Kabeldurchführung des Gegensteckers.
- Kabelverschraubung und Dichtungen des Gegensteckers sitzen korrekt.
- Bei Kabelausgängen kann keine Feuchtigkeit am Kabelende eindringen.
- Die IP-Schutzart gilt nur im gesteckten Zustand mit Gegensteckern entsprechender IP-Schutzart.

### Anforderung an Schirmung und Erdung

- Gerät über Prozessanschluss erden.
- Gerät mit geschirmter Leitung betreiben und Schirm auf mindestens einer Leitungsseite erden.

### Anschlussbelegung (nach CiA-DR 303-1)

#### Rundstecker M12 x 1 (5-polig)



Schirm	1
UB+	2
UB-	3
CAN-High	4
CAN-Low	5

## 5. Inbetriebnahme, Betrieb

Werkseinstellung und DIP-Schalterbelegung (nur für Geräte mit optionalem DIP-Schalter)

1	2	3	4	5	6	7	8	9	10	
										1
										0
$2^0$	$2^1$	$2^2$	$2^3$	$2^4$	$2^5$	$2^6$	$2^0$	$2^1$	$2^2$	
Node-ID 1 ... 127							Baud rate			
1	1	1	0	0	0	1	0	0	0	1000 kbit/s
$1 \cdot 2^0$	$1 \cdot 2^1$	$1 \cdot 2^2$	$0 \cdot 2^3$	$0 \cdot 2^4$	$0 \cdot 2^5$	$1 \cdot 2^6$	1	0	0	800 kbit/s
1	2	4	0	0	0	64	0	1	0	500 kbit/s
+							1	1	0	250 kbit/s
= 71							0	0	1	125 kbit/s
Node-ID = 71 <sub>dec</sub> (47 <sub>hex</sub> )							1	0	1	100 kbit/s
							0	1	1	50 kbit/s
							1	1	1	20 kbit/s

Werkseinstellung: Node-ID = 1, Baud rate = 250 kbit/s  
 Alle DIP-Schalter auf 0: Einstellung aus internem Speicher

## 5. Inbetriebnahme, Betrieb

### 5.3 Inbetriebnahme CANopen-Geräte

Die CAN-Schnittstelle (z. B. PEAK PCAN-USB) mit dem PC und dem Drucksensor verbinden.

CAN-Software (z. B. PEAK PCAN-View) starten.

Darauf achten, dass die richtige Bitrate und Node-ID des Drucksensors verwendet wird.



Für weitere Informationen siehe „Quick Start Guide“ in den „Additional Instructions“.

DE

### PDO-Aufbau

#### Telegrammstruktur PDO

ID Identifier	DLC 4	Byte 0 Process value	Byte 1	Byte 2	Byte 3
---------------	----------	-------------------------	--------	--------	--------

Der Aufbau der synchronen und asynchronen PDO ist identisch.

Der Identifier der PDO ist über Objekt 1800h einstellbar.

Werkseinstellung: 180h + Node-ID

Byte 0 bis Byte 3 enthalten den aktuell konfigurierten Prozesswert.

Die Codierung entspricht DS 301, Kapitel 9.1.4.5.

Dabei stellt Byte 0 das „least significant byte“ und Byte 3 das „most significant byte“ dar.

Werkseinstellung: Objekt 20 90 Subindex 0

Der folgende INTEGER-Datentyp wird verwendet:

#### INTEGER-Datentyp

Octet number	0.	1.	2.	3.
INTEGER 32	$b_7 \dots b_0$	$b_{15} \dots b_8$	$b_{23} \dots b_{16}$	$b_{31} \dots b_{24}$

## 6. Störungen

### 6. Störungen



#### **VORSICHT!**

##### **Körperverletzungen, Sach- und Umweltschäden**

Können Störungen mit Hilfe der aufgeführten Maßnahmen nicht beseitigt werden, Drucksensor unverzüglich außer Betrieb setzen.

- ▶ Sicherstellen, dass kein Druck bzw. Signal mehr anliegt und gegen versehentliche Inbetriebnahme schützen.
- ▶ Kontakt mit dem Hersteller aufnehmen.
- ▶ Bei notwendiger Rücksendung die Hinweise unter Kapitel 8.2 „Rücksendung“ beachten.



#### **WARNUNG!**

##### **Körperverletzungen, Sach- und Umweltschäden durch gefährliche Messstoffe**

Bei Kontakt mit gefährlichen Messstoffen (z. B. Sauerstoff, Acetylen, brennbaren oder giftigen Stoffen), gesundheitsgefährdenden Messstoffen (z. B. ätzend, giftig, krebserregend, radioaktiv) sowie bei Kälteanlagen, Kompressoren besteht die Gefahr von Körperverletzungen, Sach- und Umweltschäden.

- ▶ Am Gerät können im Fehlerfall aggressive Messstoffe mit extremer Temperatur und unter hohem Druck oder Vakuum anliegen.
- ▶ Bei diesen Messstoffen müssen über die gesamten allgemeinen Regeln hinaus die einschlägigen Vorschriften beachtet werden.



Kontaktaten siehe Kapitel 1 „Allgemeines“ oder Rückseite der Betriebsanleitung.

Bei Störungen zuerst überprüfen, ob der Drucksensor mechanisch und elektrisch korrekt montiert ist. Im unberechtigten Reklamationsfall werden Bearbeitungskosten berechnet.

Störungen	Ursachen	Maßnahmen
Kein/Falsches Ausgangssignal	Leitungsbruch	Durchgang überprüfen
	Keine/Falsche Hilfsenergie oder Stromstoß	Hilfsenergie korrigieren, siehe Typenschild
	Verdrahtungsfehler	Anschlussbelegung korrigieren, siehe Typenschild

## 6. Störungen

Störungen	Ursachen	Maßnahmen
Abweichendes Nullpunkt-Signal	Abweichende Einbaulage	Nullpunkt mittels Steuerung oder Software korrigieren
	Überlastsicherheit überschritten	Zulässige Überlastsicherheit einhalten
	Zu hohe/niedrige Einsatztemperatur	Zulässige Temperaturen einhalten
Gleichbleibendes Ausgangssignal bei Druckänderung	Mechanische Überlastung durch Überdruck	Gerät austauschen; bei wiederholtem Ausfall Rücksprache mit Hersteller
	Falsche Hilfsenergie oder Stromstoß	Gerät austauschen; bei wiederholtem Ausfall Rücksprache mit Hersteller
Heiße Gehäuseoberfläche	Interner Kurzschluss	Gerät austauschen
Signalspanne zu klein	Hilfsenergie zu hoch/niedrig	Hilfsenergie korrigieren, siehe Typenschild
Signalspanne fällt ab	Feuchtigkeit am elektrischen Anschluss eingetreten	Elektrischen Anschluss korrekt montieren
Signalspanne schwankend	EMV-Störquellen in Umgebung, z. B. Frequenzumrichter	Gerät abschirmen; Leitungsabschirmung; Störquelle entfernen
	Druck des Messstoffes schwankend	Dämpfung; Beratung durch Hersteller
	Hilfsenergie schwankend	Hilfsenergie stabilisieren und entstören
Signalspanne fällt ab/zu klein	Mechanische Überlastung durch Überdruck (z. B. Membranbeschädigung)	Gerät austauschen; bei wiederholtem Ausfall Rücksprache mit Hersteller

DE

## 6. Störungen

### Fehlerkodierung (Emergency Messages)

Folgende Angaben gelten nur für die Fehlermeldungen, die mittels Emergency Messages gesendet werden. Im Fehlerregister wird nur der Fehler 1 unterstützt (allgemeiner Fehler).

#### Emergency Message (EMCY) (Slave sendet) Telegrammstruktur

<b>ID</b> 80h + Node-ID	<b>DLC</b> 8	<b>Byte 0</b> LSB; Emergency-Fehlerkodierung	<b>Byte 1</b> MSB; Emergency-Fehlerkodierung	<b>Byte 2</b> Fehlerregister (1001h)
<b>Byte 3</b> Herstellerspezifischer Fehler	<b>Byte 4</b> Herstellerspezifischer Fehler	<b>Byte 5</b> Unbenutzt	<b>Byte 6</b> Unbenutzt	<b>Byte 7</b> Unbenutzt

Fehlercode	Bedeutung
00 00h	Kein Fehler
10 00h	Allgemeiner Fehler
FF 00h	Gerätespezifischer Fehler

Byte 3	Byte 4	Byte 5	Byte 6	Byte 7
XXXX XXX1: Schreibfehler EPROM XXXX XX1X: Unbenutzt XXXX X1XX: Max. erlaubte Drucküberschreitung XXXX 1XXX: Min. erlaubte Drucküberschreitung	Interner Fehler	00h Unbenutzt	00h Unbenutzt	00h Unbenutzt

## 7. Wartung und Reinigung / 8. Demontage, Rücksendung und Entsorgung

### 7. Wartung und Reinigung

#### 7.1 Wartung

Dieser Drucksensor ist wartungsfrei.

Reparaturen sind ausschließlich vom Hersteller durchzuführen.

#### 7.2 Reinigung



##### **VORSICHT!**

##### **Ungeeignete Reinigungsmittel**

Eine Reinigung mit ungeeigneten Reinigungsmitteln kann Gerät und Typenschild beschädigen.

- ▶ Keine aggressiven Reinigungsmittel verwenden.
- ▶ Keine harten oder spitzen Gegenstände verwenden.
- ▶ Keine scheuernden Tücher oder Schwämme verwenden.

##### **Geeignete Reinigungsmittel**

Wasser, handelsüblicher Geschirreiniger

##### **Gerät reinigen**

1. Drucksensor druck- und stromlos schalten.
2. Geräteoberfläche mit weichem, feuchten Tuch abwischen.

### 8. Demontage, Rücksendung und Entsorgung

#### 8.1 Demontage



##### **WARNUNG!**

##### **Körperverletzungen, Sach- und Umweltschäden durch gefährliche Messstoffe**

Bei Kontakt mit gefährlichen Messstoffen (z. B. Sauerstoff, Acetylen, brennbaren oder giftigen Stoffen), gesundheitsgefährdenden Messstoffen (z. B. ätzend, giftig, krebserregend, radioaktiv) sowie bei Kälteanlagen, Kompressoren besteht die Gefahr von Körperverletzungen, Sach- und Umweltschäden.

- ▶ Am Gerät können im Fehlerfall aggressive Messstoffe mit extremer Temperatur und unter hohem Druck oder Vakuum anliegen.
- ▶ Notwendige Schutzausrüstung tragen.

## 8. Demontage, Rücksendung und Entsorgung

### Gerät demontieren

1. Drucksensor druck- und stromlos schalten.
2. Elektrische Verbindung trennen.
3. Drucksensor mit Schraubenschlüssel über Schlüsselfläche ausschrauben.

DE

### 8.2 Rücksendung

#### Beim Versand des Gerätes unbedingt beachten:

Alle an WIKA gelieferten Geräte müssen frei von Gefahrstoffen (Säuren, Laugen, Lösungen, etc.) sein und sind daher vor der Rücksendung zu reinigen.



#### WARNUNG!

#### Körperverletzungen, Sach- und Umweltschäden durch Messstoffreste

Messstoffreste im ausgebauten Gerät können zur Gefährdung von Personen, Umwelt und Einrichtung führen.

- ▶ Bei Gefahrenstoffen das Sicherheitsdatenblatt für den entsprechenden Messstoff beilegen.
- ▶ Gerät reinigen, siehe Kapitel 7.2 „Reinigung“.

Zur Rücksendung des Gerätes die Originalverpackung oder eine geeignete Transportverpackung verwenden.



Hinweise zur Rücksendung befinden sich in der Rubrik „Service“ auf unserer lokalen Internetseite.

### 8.3 Entsorgung

Durch falsche Entsorgung können Gefahren für die Umwelt entstehen.

Gerätekomponenten und Verpackungsmaterialien entsprechend den landesspezifischen Abfallbehandlungs- und Entsorgungsvorschriften umweltgerecht entsorgen.



Nicht mit dem Hausmüll entsorgen. Für eine geordnete Entsorgung gemäß nationaler Vorgaben sorgen.



## 9. Technische Daten

## 9. Technische Daten

### Technische Daten

<b>Messbereiche [bar]</b>	0,25	0,4	0,6	1	1,6	2,5	4	6	10	16
	25	40	60	100	160	250	400	600	1.000 (nur für Typ D-20-9)	
<b>Überlastsicherheit</b>	Messbereiche ≤ 1,6 bar: 5-fach Messbereiche 2,5 ... 16 bar: 4-fach (Messbereich 10 bar: 3-fach) Messbereiche 25 ... 600 bar: 2-fach Messbereich 1.000 bar: 1,5-fach									
<b>Werkstoff</b>	Messstoffberührte Teile Typ D-20-9: CrNi-Stahl Typ D-21-9: CrNi-Stahl (Option: Hastelloy); O-Ring: NBR (Option: FPM/FKM oder EPDM)  Gehäuse: CrNi-Stahl  Andere Werkstoffe siehe WIKA Druckmittler-Programm									
<b>Interne Übertragungsflüssigkeit</b>	Synthetisches Öl Halocarbonöl für Sauerstoff-Ausführungen (Option) FDA-gelistet für Nahrungsmittelindustrie (Option)  Keine Übertragungsflüssigkeit bei Typ D-20-9 mit Messbereich > 25 bar									
<b>Hilfsenergie U+</b>	DC 10 ... 30 V									
<b>Ausgangssignal</b>	CANopen-Protokoll gemäß CiA DS-301 V. 4.02, Geräteprofil DS-404 V. 1.2									
<b>Leistungsaufnahme</b>	< 0,5 W < 0,7 W mit galvanischer Trennung (Option)									
<b>Kommunikationsdienste</b>	LSS (CiA DSP 305, Version 1.1.1) Services Konfiguration der Geräte-Adresse und Baudrate Sync/Async, Node/Lifeguarding, Heartbeat Individuell programmierbarer Filter, um z. B. Resonanzfrequenzen gezielt auszublenden									
<b>Einstellzeit (10 ... 90 %)</b>	1,5 ms (Baudrate ≥ 125 K)									
<b>Interne Messrate</b>	1.000 Hz (einstellbar bis ca. 4 Hz)									
<b>Isolationsspannung</b>	DC 500 V									

DE

## 9. Technische Daten

### Technische Daten

<b>Genauigkeit</b>	$\leq \pm 1\%$ der Spanne $\leq \pm 0,5\%$ der Spanne (Option) $\leq \pm 0,3\%$ der Spanne (Option, nicht in Kombination mit DIP-Schalter möglich)  Einschließlich Nichtlinearität, Hysterese, Nullpunkt- und Endwertabweichung (entspricht Messabweichung nach IEC 61298-2). Kalibriert bei senkrechter Einbaulage, Prozessanschlusses nach unten.  Bei Vorhandensein von starken elektromagnetischen Feldern im Frequenzbereich < 2,7 GHz, kann es zu erhöhten Messfehlern bis zu 1 % der Spanne kommen. Die Geräte nicht in der Nähe von starken elektromagnetischen Störquellen installieren (z. B. Sendegeräte, Funkanlagen) oder ggf. Mantelstromfilter einsetzen.
<b>Nichtlinearität</b>	$\leq \pm 0,2\%$ der Spanne (BFSL) nach IEC 61298-2
<b>Nichtwiederholbarkeit</b>	$\leq 0,1\%$ der Spanne
<b>Langzeitstabilität</b>	$\leq \pm 0,2\%$ der Spanne/Jahr (bei Referenzbedingungen)
<b>Zulässige Temperaturbereiche</b>	
Messstoff	-30 ... +100 °C -40 ... +125 °C (Option)
Umgebung	-20 ... +80 °C
Lagerung	-40 ... +100 °C
<b>Kompensierter Temperaturbereich</b>	0 ... 80 °C
<b>Temperaturkoeffizienten im kompensierten Temperaturbereich</b>	
Mittlerer TK des Nullpunktes	$\leq 0,2$ der Spanne / 10 K
Mittlerer TK der Spanne	$\leq 0,2$ der Spanne / 10 K
<b>Schockfestigkeit</b>	500 g nach IEC 60068-2-27 (Schock mechanisch)
<b>Vibrationsbeständigkeit</b>	Ausführung mit DIP-Schalter: 20 g nach IEC 60068-2-6 (Vibration bei Resonanz) Ausführung ohne DIP-Schalter: 10 g nach IEC 60068-2-6 (Vibration bei Resonanz)
<b>Elektrische Sicherheit</b>	Verpolungsschutz UB+ gegen UB-

## 9. Technische Daten

### Technische Daten

<b>Schutzart</b>	IP67 Die angegebene Schutzart gilt nur im gesteckten Zustand mit Gegensteckern entsprechender Schutzart.
<b>Gewicht</b>	ca. 200 g ca. 300 g mit integriertem Y-Stück
<b>Einschränkungen bei Sauerstoffausführung</b>	Typ D-21-9 nicht erhältlich. Typ D-20-9 nur möglich mit Messstofftemperatur -20 ... +60 °C und messstoffberührten Teilen in CrNi-Stahl oder Elgiloy®.  Elgiloy® ist eine Marke der Firma „Specialty Metals“
<b>EU-Konformitätserklärung</b>	<ul style="list-style-type: none"><li>■ EMV-Richtlinie, EN 61326 Emission (Gruppe 1, Klasse B) und Störfestigkeit (industrieller Bereich)</li><li>■ Druckgeräterichtlinie</li><li>■ RoHS-Richtlinie</li></ul>

DE

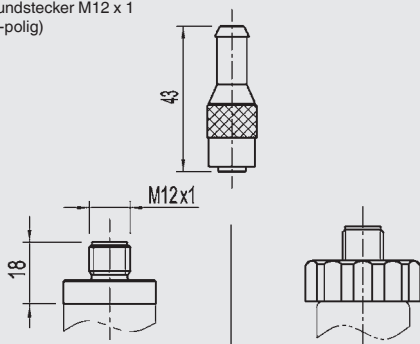
Weitere technische Daten siehe WIKA-Datenblatt PE 81.39 und Bestellunterlagen.

## 9. Technische Daten

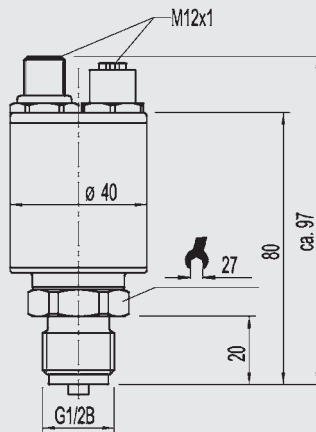
### Abmessungen in mm

#### Elektrische Anschlüsse

Rundstecker M12 x 1  
(5-polig)

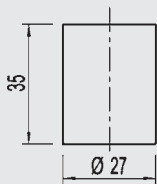


Zwei Rundstecker M12 x 1 (5-polig)  
Stift und Buchse (mit integriertem Y-Stück)

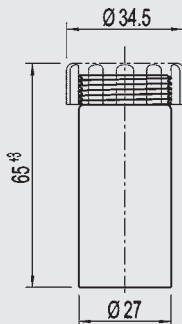


#### Gehäuse

Gehäuse mit verschweißtem  
Deckel



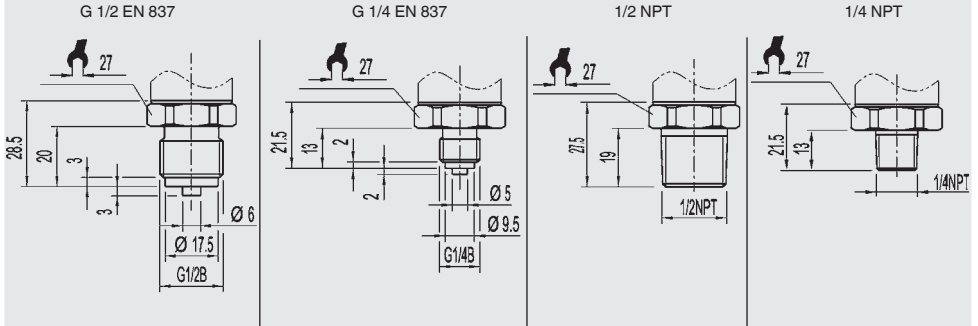
Gehäuse bei Option DIP-Schalter  
bzw. galvanische Trennung



Die hier abgebildete Variante ist mit allen aufgeführten  
Prozessanschlüssen kombinierbar.

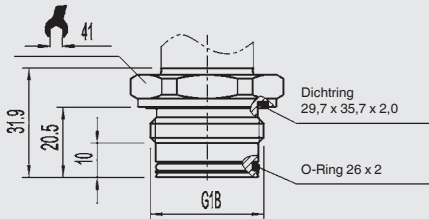
## 9. Technische Daten

### Prozessanschlüsse D-20-9

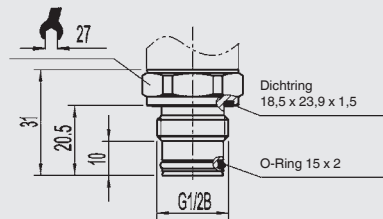


### Prozessanschlüsse D-21-9, frontbündig

G 1  
0 ... 0,1 bis 0 ... 1,6 bar



G 1/2  
ab 1,6 bar





DE

# Sommaire

<b>1. Généralités</b>	<b>48</b>
<b>2. Conception et fonction</b>	<b>49</b>
<b>3. Sécurité</b>	<b>50</b>
<b>4. Transport, emballage et stockage</b>	<b>53</b>
<b>5. Mise en service, utilisation</b>	<b>53</b>
<b>6. Dysfonctionnements</b>	<b>58</b>
<b>7. Entretien et nettoyage</b>	<b>61</b>
<b>8. Démontage, retour et mise au rebut</b>	<b>61</b>
<b>9. Spécifications</b>	<b>63</b>

Déclarations de conformité disponibles en ligne sur [www.wika.com](http://www.wika.com)

# 1. Généralités

## 1. Généralités

- L'instrument décrit dans le mode d'emploi est conçu et fabriqué selon les dernières technologies en vigueur. Tous les composants sont soumis à des exigences environnementales et de qualité strictes durant la fabrication. Nos systèmes de gestion sont certifiés selon ISO 9001 et ISO 14001.
- Ce mode d'emploi donne des indications importantes concernant l'utilisation de l'instrument. Il est possible de travailler en toute sécurité avec ce produit en respectant toutes les consignes de sécurité et d'utilisation.
- Respecter les prescriptions locales de prévention contre les accidents et les prescriptions générales de sécurité en vigueur pour le domaine d'application de l'instrument.
- Le mode d'emploi fait partie de l'instrument et doit être conservé à proximité immédiate de l'instrument et accessible à tout moment pour le personnel qualifié. Confier le mode d'emploi à l'utilisateur ou propriétaire ultérieur de l'instrument.
- Le personnel qualifié doit, avant de commencer toute opération, avoir lu soigneusement et compris le mode d'emploi.
- La responsabilité du fabricant n'est pas engagée en cas de dommages provoqués par une utilisation non conforme à l'usage prévu, de non respect de ce mode d'emploi, d'utilisation de personnel peu qualifié de même qu'en cas de modifications de l'instrument effectuées par l'utilisateur.
- Les conditions générales de vente mentionnées dans les documents de vente s'appliquent.
- Sous réserve de modifications techniques.
- Pour obtenir d'autres informations :
  - Consulter notre site Internet : [www.wika.fr](http://www.wika.fr)
  - Fiche technique correspondante : PE 81.39
  - Conseiller applications : Tél. : +33 1 787049-46  
Fax : +33 1 343084-94  
info@wika.fr



## 2. Conception et fonction

## 2. Conception et fonction

### 2.1 Vue générale



- ① Raccordement électrique (en fonction de la version)
- ② Boîtier; plaque signalétique
- ③ Raccord process, six pans
- ④ Raccord process, filetage (suivant la version)

Type D-20-9 :

Raccord process avec port de pression

Type D-21-9 :

Raccord process avec membrane affleurante pour des fluides hautement visqueux ou cristallisants qui pourraient boucher le canal de mesure du raccords process

### 2.2 Détail de la livraison

- Capteur de pression
- Bouchon de protection pour raccord process
- Mode d'emploi

Comparer le détail de la livraison avec le bordereau de livraison.

FR

## 3. Sécurité

### 3. Sécurité

#### 3.1 Explication des symboles



##### **AVERTISSEMENT !**

... indique une situation présentant des risques susceptibles de provoquer la mort ou des blessures graves si elle n'est pas évitée.



##### **ATTENTION !**

... indique une situation potentiellement dangereuse et susceptible de provoquer de légères blessures ou des dommages pour le matériel et pour l'environnement si elle n'est pas évitée.



##### **Information**

... met en exergue les conseils et recommandations utiles de même que les informations permettant d'assurer un fonctionnement efficace et normal.

#### 3.2 Utilisation conforme à l'usage prévu

Le capteur de pression est utilisé pour mesurer la pression. La pression mesurée est émise sous forme de signal électrique.

Ceci est un matériel classé B pour les émissions, et est prévu pour une utilisation dans des environnements industriels. Dans d'autres environnements, par exemple résidentiels ou des installations commerciales, il peut interférer avec d'autres équipements sous certaines conditions. Dans ces cas-là, l'opérateur devra prendre les mesures appropriées.

Utiliser l'instrument analytique uniquement dans des applications qui se trouvent dans les limites de ses performances techniques (par exemple température ambiante maximale, étendues de mesure, ...).

→ Pour limites de performance voir chapitre 9 "Spécifications"

Ces instruments sont conçus et construits exclusivement pour une utilisation conforme à l'usage prévu décrit ici, et ne doivent être utilisés qu'à cet effet.

Aucune réclamation ne peut être recevable en cas d'utilisation non conforme à l'usage prévu.

## 3. Sécurité

### 3.3 Utilisation inappropriée



#### AVERTISSEMENT !

##### Blessures causées par une utilisation inappropriée

Une utilisation inappropriée peut conduire à des situations dangereuses et à des blessures.

- ▶ S'abstenir de modifications non autorisées sur l'instrument
- ▶ Ne pas utiliser l'instrument en zone explosive.
- ▶ Ne pas utiliser le type D-20-9 avec des fluides abrasifs ou visqueux.

Toute utilisation différente ou au-delà de l'utilisation prévue est considérée comme inappropriée.

Ne pas utiliser cet instrument dans des dispositifs de sécurité ou d'arrêt d'urgence.

### 3.4 Dangers particuliers



#### AVERTISSEMENT !

Dans le cas de fluides de mesure dangereux comme notamment l'oxygène, l'acétylène, les substances combustibles ou toxiques, ainsi que dans le cas d'installations de réfrigération, de compresseurs etc., les directives appropriées existantes doivent être observées en plus de l'ensemble des règles générales.



#### AVERTISSEMENT !

Les restes de fluides se trouvant dans les transmetteurs de pression démontés peuvent mettre en danger les personnes, l'environnement ainsi que l'installation.  
Prendre des mesures de sécurité suffisantes.

### 3.5 Qualification du personnel

#### Personnel qualifié

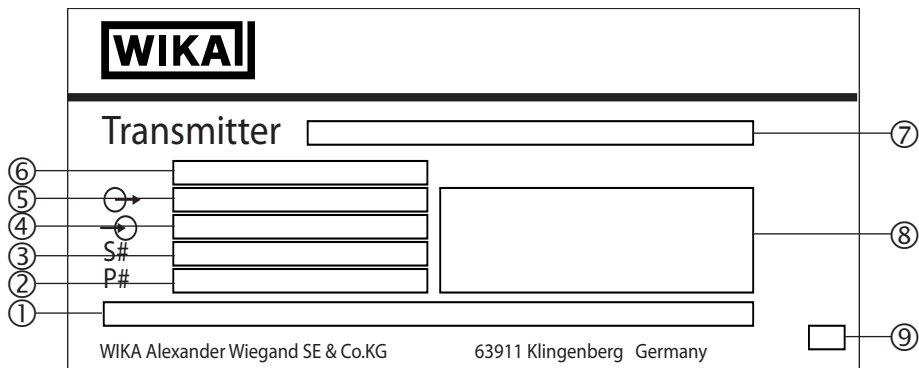
Le personnel qualifié, autorisé par l'opérateur, est, en raison de sa formation spécialisée, de ses connaissances dans le domaine de l'instrumentation de mesure et de régulation et de son expérience, de même que de sa connaissance des réglementations nationales et des normes en vigueur, en mesure d'effectuer les travaux décrits et d'identifier de façon autonome les dangers potentiels.

## 3. Sécurité

### 3.6 Etiquetage, marquages de sécurité

#### Plaque signalétique

FR



- |                    |                                 |
|--------------------|---------------------------------|
| ① Typecode         | ⑥ Etendue de mesure             |
| ② P# N° d'article  | ⑦ Désignation du type           |
| ③ S# N° Série      | ⑧ Configuration du raccordement |
| ④ Alimentation     | ⑨ Date de fabrication codée     |
| ⑤ Signal de sortie |                                 |



Lire impérativement le mode d'emploi avant le montage et la mise en service de l'instrument !



Tension DC

## 4. Transport, emballage et stockage / 5. Mise en service, exploitation

### 4. Transport, emballage et stockage

#### 4.1 Transport

Vérifier s'il existe des dégâts sur le capteur de pression qui pourraient être liés au transport.  
Communiquer immédiatement les dégâts constatés.

#### 4.2 Emballage et stockage

N'enlever l'emballage qu'avant le montage.

Conserver l'emballage, celui-ci offre, lors d'un transport, une protection optimale (par ex. changement de lieu d'utilisation, renvoi pour réparation).

Dans le but de protéger l'élément à membrane, mettre sur le raccord process du type D-21-9 le bouchon de protection qui est fourni.

#### Conditions admissibles sur le lieu de stockage :

- Température de stockage : -40 ... +100 °C
- Humidité : 45 ... 75 % d'humidité relative (sans condensation)

### 5. Mise en service, utilisation

#### 5.1 Montage mécanique

Le capteur de pression ne doit être utilisé qu'en parfait état de sécurité technique.

Avant la mise en service, le capteur de pression doit être soumis à un contrôle visuel.

- Une fuite de liquide indique un dommage.
- La membrane du raccord process du type D-21-9 est un composant de sécurité et ne doit pas être endommagée.

#### Exigences concernant le lieu d'installation

Le lieu d'installation doit remplir les conditions suivantes :

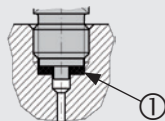
- Les surfaces d'étanchéité sont propres et intactes.
- Un espace suffisant pour une installation électrique en toute sécurité.
- Pour obtenir des informations concernant les trous taraudés et les embases à souder, voir les Informations techniques IN 00.14 sur [www.wika.fr](http://www.wika.fr).
- Les températures ambiantes et du fluide admissibles restent dans les limites de leurs performances. Considérer les restrictions possibles sur la plage de température ambiante causée par un connecteur usé.  
→ Pour limites de performance voir chapitre 9 "Spécifications"

## 5. Mise en service, utilisation

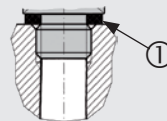
### Variantes d'étanchéité

#### Filetage parallèle

Sceller la surface d'étanchéité ① avec un joint d'étanchéité plat, une bague d'étanchéité de type lentille ou un joint d'étanchéité profilé WIKA.



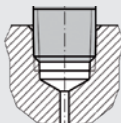
selon EN 837



selon DIN 3852-E

#### Filetages coniques

Envelopper les filetages avec du matériau d'étanchéité (par exemple du ruban PTFE).



NPT, R et PT



Le couple maximum dépend du point d'installation (par exemple matériau et forme). Si vous avez des questions, veuillez contacter notre conseiller applications.

→ Pour le détail des contacts voir le chapitre 1 "Généralités" ou au dos du mode d'emploi.

1. Sceller la surface d'étanchéité (→ voir "Variantes de joints d'étanchéité").
2. A l'endroit d'installation, visser le capteur de pression en serrant à la main.
3. Serrer avec une clé dynamométrique en utilisant des surfaces de clé.

### 5.2 Montage électrique

#### Exigences concernant la tension d'alimentation

→ Pour l'alimentation électrique voir la plaque signalétique

L'alimentation électrique pour le capteur de pression doit être effectuée au moyen d'un circuit électrique limité en énergie en conformité avec la section 9.4 de UL/EN/CEI 61010-1 ou un LPS pour UL/EN/CEI 60950-1 ou classe 2 en conformité avec UL1310/UL1585 (NEC ou CEC).

## 5. Mise en service, utilisation

### Exigences concernant le raccordement électrique

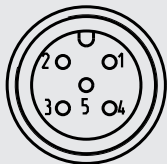
- Le diamètre du câble correspond au passe-câble du contre-connecteur.
- Le presse-étoupe et les joints d'étanchéité du contre-connecteur sont posés correctement.
- Avec les sorties câble, aucune humidité ne peut pénétrer à l'extrémité du câble.
- L'indice de protection IP n'est valable que lorsque le contre-connecteur possède également l'indice de protection IP requis.

### Exigences concernant le blindage et la mise à la terre

- L'instrument doit être mis à la terre par le raccord process.
- Utiliser l'instrument avec un câble blindé, et mettre le blindage à la terre à une extrémité du fil de sortie au moins.

### Configuration du raccordement (selon CiA-DR 303-1)

#### Connecteur circulaire M12 x 1 (5 plots)



Blindage	1
UB+	2
UB-	3
CAN-High	4
CAN-Low	5

FR

## 5. Mise en service, utilisation

Réglage usine et configuration du contact DIP (seulement pour les instruments munis d'un contact DIP en option)

FR

1	2	3	4	5	6	7	8	9	10	
										1
										0
$2^0$	$2^1$	$2^2$	$2^3$	$2^4$	$2^5$	$2^6$	$2^0$	$2^1$	$2^2$	
Node-ID 1 ... 127							Baud rate			
1	1	1	0	0	0	1	0	0	0	1000 kbit/s
$1*2^0$	$1*2^1$	$1*2^2$	$0*2^3$	$0*2^4$	$0*2^5$	$1*2^6$	1	0	0	800 kbit/s
1	2	4	0	0	0	64	0	1	0	500 kbit/s
+							1	1	0	250 kbit/s
= 71							0	0	1	125 kbit/s
Node-ID = 71 <sub>dec</sub> (47 <sub>hex</sub> )							1	0	1	100 kbit/s
							0	1	1	50 kbit/s
							1	1	1	20 kbit/s

Réglage usine : ID du noeud = 1, taux de baud = 250 kbit/s  
Tous les contacts DIP à 0 : réglage depuis la mémoire interne



## 5. Mise en service, utilisation

### 5.3 Mise en service des instruments CANopen

Raccordez l'interface CAN (par exemple PEAK PCAN-USB) au PC et au transmetteur de pression.

Démarrez le logiciel CAN (par exemple PEAK PCAN-View).

Assurez-vous que le taux de bits est correct et que l'identifiant de noeud du transmetteur de pression soient utilisés.



Pour plus d'informations, voir le "Quick start guide" sous "Instructions supplémentaires"

FR

### Structure PDO

#### Structure du message PDO

ID Identifiant	DLC 4	Byte 0 Process value	Byte 1	Byte 2	Byte 3
-------------------	----------	-------------------------	--------	--------	--------

La structure du PDO synchrone et asynchrone est identique.

L'identifiant du PDO peut être réglé sous objet 1800h.

Réglage d'usine : 180h + ID de noeud

Les bytes 0 à 3 contiennent la valeur de process actuellement configurée.

Le codage correspond à DS 301, chapitre 9.1.4.5.

Le byte 0 représente le "byte le moins significatif" et le byte 3 le "byte le plus significatif".

Réglage usine : objet 20 90 subindex 0

Le type de données INTEGER suivant est utilisé :

#### Type de données INTEGER

Octet number	0.	1.	2.	3.
INTEGER 32	$b_7 \dots b_0$	$b_{15} \dots b_8$	$b_{23} \dots b_{16}$	$b_{31} \dots b_{24}$

### 6. Dysfonctionnements



#### ATTENTION !

##### **Blessures physiques, dommages aux équipements et à l'environnement**

Si des pannes ne peuvent être éliminées au moyen des mesures ici énumérées, le capteur de pression doit être immédiatement mis hors service

- ▶ S'assurer que la pression ou le signal n'est plus présent et protéger contre une mise en service accidentelle.
- ▶ Contacter le fabricant.
- ▶ S'il est nécessaire de retourner l'instrument au fabricant, respecter les indications mentionnées au chapitre 8.2 "Retour".

#### AVERTISSEMENT !

##### **Blessures physiques et dommages aux équipements et à l'environnement causés par un fluide dangereux**

Lors du contact avec un fluide dangereux (par ex. oxygène, acétylène, substances inflammables ou toxiques), un fluide nocif (par ex. corrosif, toxique, cancérigène, radioactif), et également avec des installations de réfrigération et des compresseurs, il y a un danger de blessures physiques et de dommages aux équipements et à l'environnement.

- ▶ En cas d'erreur, des fluides agressifs peuvent être présents à une température extrême et sous une pression élevée ou sous vide au niveau de l'instrument.
- ▶ Pour ces fluides, les codes et directives appropriés existants doivent être observés en plus des réglementations standard.



Pour le détail des contacts voir le chapitre 1 "Généralités" ou au dos du mode d'emploi.

Dans le cas de pannes, vérifier d'abord si le capteur de pression est monté correctement, mécaniquement et électriquement.

Si la réclamation n'est pas justifiée, nous vous facturerons les frais de traitement de la réclamation.

## 6. Dysfonctionnements

Dysfonctionnements	Raisons	Mesures
Pas de / mauvais signal de sortie	Câble sectionné	Vérifier la continuité
	Pas de/mauvaise alimentation ou impulsion de courant	Corriger l'alimentation électrique, voir la plaque signalétique
	Erreur de raccordement électrique	Corriger la configuration du raccordement, voir la plaque signalétique
Déviation du signal de point zéro	Autre position de montage	Corriger le point zéro par le contrôleur ou le logiciel
	Sécurité contre la surpression dépassée	Respectez la surpression admissible
	Température de fonctionnement trop haute/trop basse	Respectez les températures admissibles
Signal de sortie constant après une variation de pression	Surcharge mécanique causé par une surpression	Remplacer l'instrument ; s'il tombe en panne de manière répétée, contacter le fabricant
	Mauvaise alimentation ou impulsion de courant	Remplacer l'instrument ; s'il tombe en panne de manière répétée, contacter le fabricant
La surface du boîtier est brûlante	Court-circuit interne	Remplacer l'instrument
Echelle de signaux trop petite	Alimentation trop élevée / basse	Corriger l'alimentation électrique, voir la plaque signalétique
Plage de signaux tombe	De l'humidité a pénétré dans le raccordement électrique	Installer correctement le raccordement électrique
Le signal de sortie varie	Sources d'interférence CEM dans l'environnement ; par ex. convertisseur de fréquence	Utiliser un blindage pour l'instrument; câble blindé; Se débarrasser de la source d'interférences.
	La pression du fluide est fluctuante	Amortissement ; consultation auprès du fabricant
	L'alimentation électrique est fluctuante	Stabiliser l'alimentation électrique et supprimer les interférences
Plage de signaux tombe/trop petite	Surcharge mécanique causée par une surpression (par exemple membrane endommagée)	Remplacer l'instrument ; s'il tombe en panne de manière répétée, contacter le fabricant

FR

## 6. Dysfonctionnements

### Codage d'erreurs (messages d'urgence)

Les tâches suivantes sont seulement valides pour les messages d'erreur qui sont envoyés par les messages d'urgence.

Dans le registre d'erreurs, seule l'erreur 1 est indiquée (erreur générale).

#### Message d'urgence (EMCY) (envoi par l'esclave)

##### Structure du message

<b>ID</b> 80h + ID de noeud	<b>DLC</b> 8	<b>Byte 0</b> LSB ; codage d'erreurs d'urgence	<b>Byte 1</b> MSB ; codage d'erreurs d'urgence	<b>Byte 2</b> Registre d'erreurs (1001h)
<b>Byte 3</b> Erreur spécifique au fabricant	<b>Byte 4</b> Erreur spécifique au fabricant	<b>Byte 5</b> Non utilisé	<b>Byte 6</b> Non utilisé	<b>Byte 7</b> Non utilisé

Code d'erreur	Signification
00 00h	Pas d'erreur
10 00h	Erreur générale
FF 00h	Erreur spécifique à l'instrument

Byte 3	Byte 4	Byte 5	Byte 6	Byte 7
XXXX XXX1 : erreur d'écriture EPROM XXXX XX1X : non utilisé XXXX X1XX : pression maximale admissible dépassée XXXX 1XXX : pression minimale admissible dépassée	Erreur interne	00h Non utilisé	00h Non utilisé	00h Non utilisé

## 7. Entretien et nettoyage / 8. Démontage, retour et mise au rebut

### 7. Entretien et nettoyage

#### 7.1 Entretien

Ce capteur de pression ne nécessite aucun entretien. Les réparations ne doivent être effectuées que par le fabricant.

#### 7.2 Nettoyage



#### **ATTENTION !**

#### **Agents de nettoyage inappropriés peuvent endommager l'instrument**

Un nettoyage avec des agents de nettoyage inappropriés peut endommager l'instrument et la plaque signalétique.

- ▶ Ne pas utiliser de détergents agressifs.
- ▶ Ne pas utiliser d'objets durs ou pointus.
- ▶ Ne pas utiliser de chiffons abrasifs ou d'éponges abrasives.

#### **Agents de nettoyage appropriés**

Eau, liquide vaisselle conventionnel

#### **Nettoyage de l'instrument**

1. Dépressuriser et mettre hors tension le capteur de pression.
2. Essuyer la surface de l'instrument avec un chiffon doux et humide.

## 8. Démontage, retour et mise au rebut

### 8.1 Démontage



#### **AVERTISSEMENT !**

#### **Blessures physiques et dommages aux équipements et à l'environnement causés par un fluide dangereux**

Lors du contact avec un fluide dangereux (par ex. oxygène, acétylène, substances inflammables ou toxiques), un fluide nocif (par ex. corrosif, toxique, cancérigène, radioactif), et également avec des installations de réfrigération et des compresseurs, il y a un danger de blessures physiques et de dommages aux équipements et à l'environnement.

- ▶ En cas d'erreur, des fluides agressifs peuvent être présents à une température extrême et sous une pression élevée ou sous vide au niveau de l'instrument.
- ▶ Porter l'équipement de protection requis.

## 8. Démontage, retour et mise au rebut

### Démontage de l'instrument

1. Dépressuriser et mettre hors tension le capteur de pression.
2. Déconnecter l'alimentation électrique.
3. Dévisser le capteur de pression avec une clé en utilisant les parties plates de la clé.

### 8.2 Retour

#### En cas d'envoi de l'instrument, il faut respecter impérativement ceci :

Tous les instruments livrés à WIKA doivent être exempts de substances dangereuses (acides, bases, solutions, etc.) et doivent donc être nettoyés avant d'être retournés.



#### AVERTISSEMENT !

#### Blessures physiques et dommages aux équipements et à l'environnement liés aux résidus de fluides

Les restes de fluides se trouvant dans les instruments démontés peuvent mettre en danger les personnes, l'environnement ainsi que l'installation.

- ▶ Avec les substances dangereuses, inclure la fiche technique de sécurité de matériau pour le fluide correspondant.
- ▶ Nettoyer l'instrument, voir chapitre 7.2 "Nettoyage".

Pour retourner l'instrument, utiliser l'emballage original ou un emballage adapté pour le transport.



Des informations relatives à la procédure de retour sont disponibles sur notre site Internet à la rubrique "Services".

### 8.3 Mise au rebut

Une mise au rebut inadéquate peut entraîner des dangers pour l'environnement.

Éliminer les composants des instruments et les matériaux d'emballage conformément aux prescriptions nationales pour le traitement et l'élimination des déchets et aux lois de protection de l'environnement en vigueur.



Ne pas mettre au rebut avec les ordures ménagères. Assurer une mise au rebut correcte en conformité avec les réglementations nationales.

## 9. Spécifications

## 9. Spécifications

### Spécifications

<b>Etendues de mesure [bar]</b>	0,25	0,4	0,6	1	1,6	2,5	4	6	10	16
	25	40	60	100	160	250	400	600	1.000 (seulement pour le type D-20-9)	
<b>Sécurité contre la surpression</b>	<p>Etendues de mesure <math>\leq 1,6</math> bar : 5 fois            Etendues de mesure 2,5 ... 16 bar : 4 fois (étendue de mesure 10 bar : 3 fois)            Etendues de mesure 25 ... 600 bar : 2 fois            Etendue de mesure 1.000 bar : 1,5 fois</p>									
<b>Matériau</b>	<p>Parties en contact avec le fluide            Type D-20-9 : acier inox            Type D-21-9 : acier inox (en option : Hastelloy) ; joint torique : NBR (en option : FKM/FPM ou EPDM)</p> <p>Boîtier : Acier inox</p> <p>Pour d'autres matériaux, voir la gamme de produits WIKA pour les séparateurs</p>									
<b>Liquide de transmission interne</b>	<p>Huile silicone            Huile halocarbone pour les versions à oxygène (en option)            Listé par FDA pour l'industrie alimentaire (en option)</p> <p>Pas de fluide de transmission pour le type D-20-9 avec étendue de mesure &gt; 25 bar</p>									
<b>Alimentation U+</b>	10 ... 30 VDC									
<b>Signal de sortie</b>	Protocole CANopen protocol en conformité avec CiA DS-301 V. 4.02, profil de l'appareil DS-404 V. 1,2									
<b>Consommation électrique</b>	<p>&lt; 0,5 W            &lt; 0,7 W avec isolation galvanique (en option)</p>									
<b>Services de communication</b>	<p>Services LSS (CiA DSP 305, version 1.1.1)            Configuration de l'adresse et du taux de Baud de l'instrument            Sync/Async, Node/Lifeguarding, Heartbeat            Filtre programmable individuellement dans le but de supprimer, par exemple, des fréquences résonnantes spécifiques</p>									
<b>Temps de réponse : (10 ... 90 %)</b>	1,5 ms (taux de Baud $\geq 125$ K)									
<b>Fréquence interne de mesure</b>	1.000 Hz (réglable jusqu'à environ 4 Hz)									

FR

## 9. Spécifications

### Spécifications

<b>Tension d'isolement</b>	500 VDC
<b>Précision</b>	<p><math>\leq \pm 1 \%</math> de l'échelle  <math>\leq \pm 0,5 \%</math> de l'échelle (en option)  <math>\leq \pm 0,3 \%</math> de l'échelle (en option, impossible en combinaison avec contact DIP)</p> <p>Incluant la non-linéarité, l'hystérésis, les déviations du point zéro et de valeur finale (correspond à l'erreur de mesure selon CEI 61298-2). Etalonné en position de montage verticale avec le raccord process orienté vers le bas.</p> <p>La présence de forts champs électromagnétiques dans une plage de fréquence inférieure à &lt; 2,7 GHz peut entraîner une augmentation de l'erreur de mesure jusqu'à 1 % de l'échelle. Ne pas installer d'instruments au voisinage d'émetteurs de fortes interférences électromagnétiques (ex : dispositifs de transmission, dispositifs radio), ou utiliser si possible des câbles isolés ou blindés.</p>
<b>Non-linéarité</b>	$\leq \pm 0,2 \%$ de l'échelle (BFSL) selon CEI 61298-2
<b>Non-répétabilité</b>	$\leq 0,1 \%$ de l'échelle
<b>Stabilité à long terme</b>	$\leq \pm 0,2 \%$ de l'échelle par an (dans les conditions de référence)
<b>Plages de température admissibles</b>	
Fluide	-30 ... +100 °C -40 ... +125 °C (en option)
Ambiante	-20 ... +80 °C
Stockage	-40 ... +100 °C
<b>Plage de température compensée</b>	0 ... 80 °C
<b>Coefficients de température sur la plage de température compensée</b>	
Coeff. de temp. moyen du point zéro	$\leq 0,2 \%$ de l'échelle / 10 K
Coeff. de temp. moyen pleine échelle	$\leq 0,2 \%$ de l'échelle / 10 K

FR



## 9. Spécifications

Spécifications	
<b>Résistance aux chocs</b>	500 g à CEI 60068-2-27 (choc mécanique)
<b>Résistance aux vibrations</b>	Version avec contact DIP : 20 g selon CEI 60068-2-6 (vibration sous résonance) Version sans contact DIP : 10 g selon CEI 60068-2-6 (vibration sous résonance)
<b>Sécurité électrique</b>	Protection contre l'inversion de polarité UB+ vers UB-
<b>Indice de protection</b>	IP67 L'indice de protection mentionné n'est valable que lorsque le contre-connecteur possède également l'indice de protection requis.
<b>Poids</b>	env. 200 g env. 300 g avec connecteur Y intégré
<b>Restrictions pour la version à oxygène</b>	Type D-21-9 non disponible. Type D-20-9 seulement possible avec une température du fluide entre -20 ... +60 °C et des parties en contact avec le fluide en acier inox ou Elgiloy®.  Elgiloy® est une marque déposée de la compagnie "Specialty Metals"
<b>Déclaration de conformité UE</b>	<ul style="list-style-type: none"><li>■ Directive CEM, EN 61326 émission (groupe 1, classe B) et immunité (application industrielle)</li><li>■ Directive relative aux équipements sous pression</li><li>■ Directive RoHS</li></ul>

FR

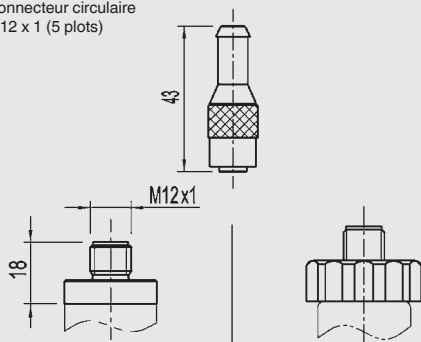
Pour de plus amples spécifications, voir la fiche technique WIKA PE 81.39 et la documentation de commande.

## 9. Spécifications

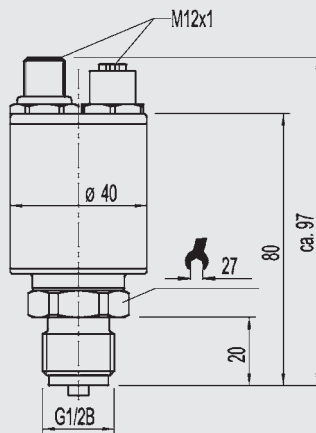
### Dimensions en mm

#### Raccordements électriques

Connecteur circulaire  
M12 x 1 (5 plots)

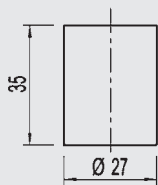


Deux connecteurs circulaires M12 x 1 (5 plots)  
Connecteur mâle et femelle (avec connecteur Y intégré)

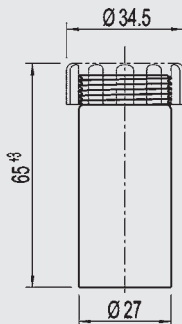


#### Boîtier

Boîtier avec couvercle soudé



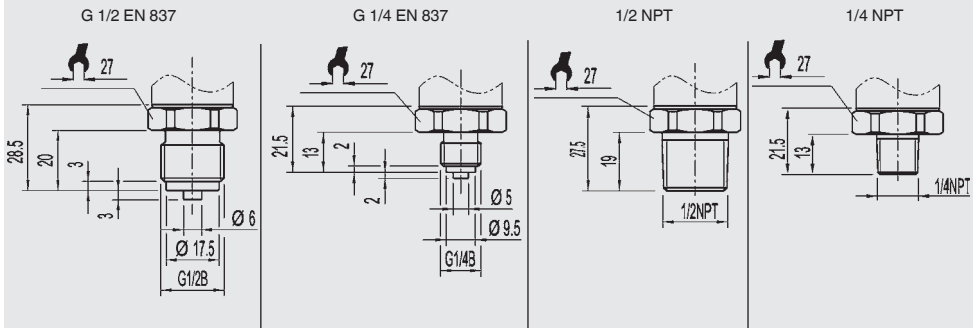
Boîtier avec l'option de contacts DIP  
ou isolation galvanique



La variante décrite ici peut être combinée avec tous les  
raccords process énumérés ci-dessous.

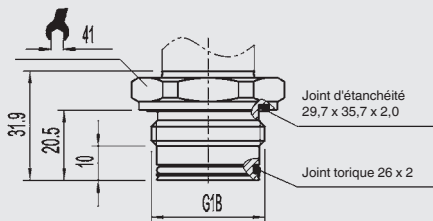
## 9. Spécifications

### Raccords process D-20-9

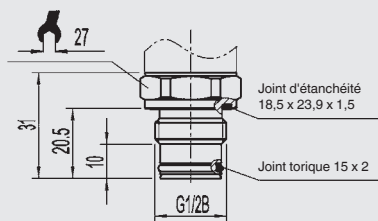


### Raccords process D-21-9, affleurants

G 1  
0 ... 0,1 à 0 ... 1,6 bar



G 1/2  
de 1,6 bar



FR



# Contenido

<b>1. Información general</b>	<b>70</b>
<b>2. Diseño y función</b>	<b>71</b>
<b>3. Seguridad</b>	<b>72</b>
<b>4. Transporte, embalaje y almacenamiento</b>	<b>75</b>
<b>5. Puesta en servicio, funcionamiento</b>	<b>75</b>
<b>6. Errores</b>	<b>80</b>
<b>7. Mantenimiento y limpieza</b>	<b>83</b>
<b>8. Desmontaje, devolución y eliminación de residuos</b>	<b>83</b>
<b>9. Datos técnicos</b>	<b>85</b>

Declaraciones de conformidad puede encontrar en [www.wika.es](http://www.wika.es)

## 1. Información general

### 1. Información general

- El instrumento descrito en el manual de instrucciones está construido y fabricado según el estado actual de la técnica. Todos los componentes están sujetos a rigurosos criterios de calidad y medio ambiente durante la producción. Nuestros sistemas de gestión están certificados según ISO 9001 e ISO 14001.
- Este manual de instrucciones proporciona indicaciones importantes acerca del manejo del instrumento. Para un trabajo seguro, es imprescindible cumplir con todas las instrucciones de seguridad y manejo indicadas.
- Cumplir siempre las normativas sobre la prevención de accidentes y las normas de seguridad en vigor en el lugar de utilización del instrumento.
- El manual de instrucciones es una parte integrante del instrumento y debe guardarse en la proximidad del mismo para que el personal especializado pueda consultarlo en cualquier momento. Entregar el manual de instrucciones al usuario o propietario siguiente del instrumento.
- El personal especializado debe haber leído y entendido el manual de instrucciones antes de comenzar cualquier trabajo.
- El fabricante queda exento de cualquier responsabilidad en caso de daños causados por un uso no conforme a la finalidad prevista, la inobservancia del presente manual de instrucciones, un manejo por personal insuficientemente cualificado así como una modificación no autorizada del instrumento.
- Se aplican las condiciones generales de venta incluidas en la documentación de venta.
- Modificaciones técnicas reservadas.
- Para obtener más informaciones consultar:
  - Página web: [www.wika.es](http://www.wika.es)
  - Hoja técnica correspondiente: PE 81.39
  - Servicio técnico: Tel.: +34 933 938 630  
Fax +34 933 9386-66  
info@wika.es

ES

## 2. Diseño y función

## 2. Diseño y función

### 2.1 Resumen



- ① Conexión eléctrica (en función de la versión)
- ② Caja; Placa de identificación
- ③ Conexión al proceso, área para llave
- ④ Conexión al proceso, rosca (según la versión)

Modelo D-20-9:

Conexión al proceso con perforación de canal

Modelo D-21-9:

Conexión al proceso con membrana enrasada para medios de alta viscosidad o cristalización, que pueden obstruir las conexiones al proceso con la perforación de canal.

### 2.2 Alcance del suministro

- Sensor de presión
- Tapa protectora para conexión al proceso
- Manual de instrucciones

Comparar mediante el albarán si se han entregado todas las piezas.

ES

## 3. Seguridad

### 3. Seguridad

#### 3.1 Explicación de símbolos



##### **¡ADVERTENCIA!**

... indica una situación probablemente peligrosa que puede causar la muerte o lesiones graves si no se la evita.



##### **¡CUIDADO!**

... indica una situación probablemente peligrosa que puede causar lesiones leves o medianas, o daños materiales y medioambientales, si no se la evita.



##### **Información**

... destaca consejos y recomendaciones útiles así como informaciones para una utilización eficiente y libre de errores.

#### 3.2 Uso conforme a lo previsto

El sensor de presión sirve para medir la presión. La presión se transforma en una señal eléctrica.

Este es un dispositivo de clase B para emisión de interferencias y está previsto para su uso en entornos industriales. En otros entornos, p. ej. en entornos residenciales o comerciales, puede causar perturbaciones en otros dispositivos. En tal caso, puede requerirse de la empresa operadora que tome las medidas preventivas correspondientes.

Utilizar el sensor de presión únicamente en aplicaciones que están dentro de sus límites de rendimiento técnicos (por ej. temperatura ambiente máxima, compatibilidad de materiales, ...).

→ Para límites de rendimiento véase el capítulo 9 "Datos técnicos".

El instrumento ha sido diseñado y construido únicamente para la finalidad aquí descrita y debe utilizarse en conformidad a la misma.

No se admite ninguna reclamación debido a una utilización no conforme a lo previsto.



## 3. Seguridad

### 3.3 Uso incorrecto



#### ¡ADVERTENCIA!

#### Lesiones por uso incorrecto

El uso incorrecto del dispositivo puede causar lesiones graves o la muerte.

- ▶ Abstenerse realizar modificaciones no autorizadas del dispositivo.
- ▶ No utilizar el dispositivo en zonas potencialmente explosivas.
- ▶ No utilizar el modelo D-20-9 para medios abrasivos ni viscosos.

Cualquier uso que no sea el previsto para este dispositivo es considerado como uso incorrecto.

No utilizar este instrumento en sistemas de seguridad o dispositivos de parada de emergencia.

### 2.3 Riesgos específicos



#### ¡ADVERTENCIA!

Para las sustancias peligrosas, tales como oxígeno, materiales de acetileno, inflamables o tóxicos, y con los sistemas de refrigeración, compresores, etc se deben respetar las reglamentos específicos aparte de las directrices generales.



#### ¡ADVERTENCIA!

Medios residuales en un presostato desmontado pueden causar riesgos para personas, medio ambiente e instalación.

Tomar las medidas de precaución adecuadas.

### 3.4 Cualificación del personal

#### Personal especializado

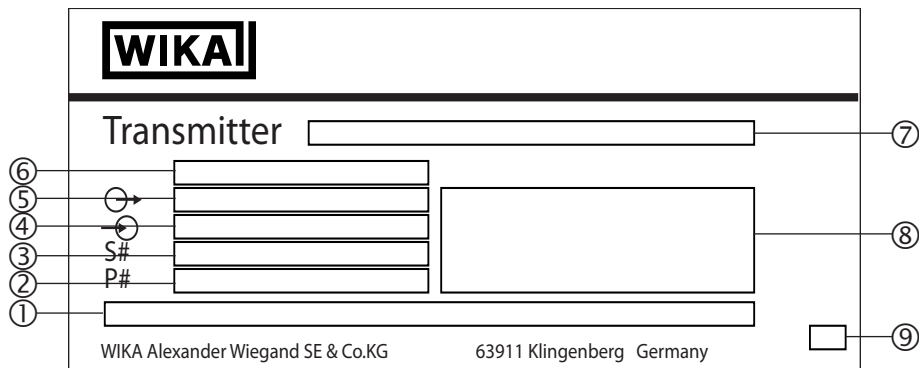
Debido a su formación profesional, a sus conocimientos de la técnica de regulación y medición así como a su experiencia y su conocimiento de las normativas, normas y directivas vigentes en el país de utilización el personal especializado autorizado por el usuario es capaz de ejecutar los trabajos descritos y reconocer posibles peligros por sí solo.

## 3. Seguridad

### 3.5 Rótulos, marcajes de seguridad

#### Placa de identificación

ES



- |                         |                                   |
|-------------------------|-----------------------------------|
| ① Código de modelo      | ⑥ Rango de medición               |
| ② P# N° de art.         | ⑦ Indicación de modelo            |
| ③ S# n° de serie        | ⑧ Detalles del conexionado        |
| ④ Alimentación auxiliar | ⑨ Fecha de fabricación codificada |
| ⑤ Señal de salida       |                                   |



¡Es absolutamente necesario leer el manual de instrucciones antes del montaje y la puesta en servicio del instrumento!



Corriente continua

## 4. Transporte, embalaje ... / 5. Puesta en servicio, funcionamiento

### 4. Transporte, embalaje y almacenamiento

#### 4.1 Transporte

Comprobar si el sensor de presión presenta eventuales daños causados en el transporte.  
Notificar daños obvios de forma inmediata.

#### 4.2 Embalaje y almacenamiento

No quitar el embalaje hasta justo antes del montaje.

Guardar el embalaje ya que es la protección ideal durante el transporte (por ejemplo si el lugar de instalación cambia o si se envía el instrumento para posibles reparaciones).

Para proteger la membrana, dota a la conexión al proceso D-21-9 de la tapa protectora suministrada.

#### Condiciones admisibles en el lugar de almacenamiento:

- Temperatura de almacenamiento: -40 ... +100 °C
- Humedad: 45 ... 75 % de humedad relativa (sin rocío)

### 5. Puesta en servicio, funcionamiento

#### 5.1 Montaje mecánico

Utilizar el sensor de presión sólo si encuentra en condiciones de funcionamiento absolutamente seguras.  
Inspeccionar visualmente el sensor de presión antes de ponerlo en servicio.

- Si el líquido se derrama es probable que la membrana esté dañada.
- La membrana en la conexión al proceso D-21-9 es un componente relevante para la seguridad y no debe dañarse.

#### Exigencias referentes al lugar de montaje

El lugar de montaje debe cumplir con las condiciones siguientes:

- Las superficies de obturación están limpias y sin daños.
- Suficiente espacio para una instalación eléctrica.
- Las indicaciones sobre taladros para roscar y para soldar se detallan en nuestra información técnica IN 00.14 en [www.wika.es](http://www.wika.es).
- Las temperaturas ambiente y del medio admisibles se mantienen dentro de los límites de rendimiento. Tener en cuenta eventuales limitaciones del rango de temperatura ambiente debido al conector hembra utilizado.  
→ Para límites de rendimiento véase el capítulo 9 “Datos técnicos”.

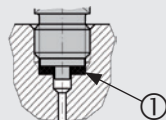
ES

## 5. Puesta en servicio, funcionamiento

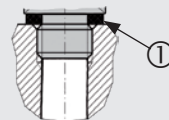
### Variantes de obturación

#### Roscas cilíndricas

Obturar la superficie de obturación ① mediante junta plana, arandela de sellado o juntas perfiladas WIKA.



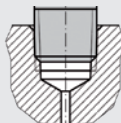
según EN 837



según DIN 3852-E

#### Rosca cónica

Envolver la rosca con material de sellado (p. ej. cinta PTFE).



NPT, R y PT



El par de apriete máx. depende del lugar de montaje (por ej. material y forma). Si tiene preguntas póngase en contacto con nuestro servicio técnico.

→ Datos de contacto ver capítulo 1 "Información general" o parte posterior del manual de instrucciones.

1. Obturar la superficie de obturación (→ véase „Variantes de obturación“).
2. Roscar el sensor de presión manualmente en el lugar de montaje.
3. Apretar mediante llave dinamométrica utilizando las áreas para llave.

### 5.2 Montaje eléctrico

#### Exigencias referentes a la alimentación de corriente

→ Alimentación auxiliar véase la placa de identificación

Utilizar un circuito eléctrico con límite de energía según el párrafo 9.4 de UL/EN/IEC 61010-1 o LPS según UL/EN/IEC 60950-1 o Clase 2 según UL1310/UL1585 (NEC o CEC) para alimentar el sensor de presión.

## 5. Puesta en servicio, funcionamiento

### Exigencias referentes a la conexión eléctrica

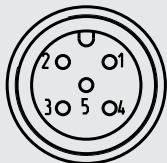
- El diámetro del cable está adaptado a la entrada de cable del conector hembra.
- El prensaestopa y las juntas del conector hembra están posicionados correctamente.
- Es imposible la penetración de humedad en el extremo del cable en las salidas de cable.
- El tipo de protección IP sólo es válido en estado conectado con conectores según el tipo de protección IP correspondiente.

### Exigencias referentes al blindaje y a la puesta a tierra

- Poner a tierra el instrumento a través de la conexión al proceso.
- Utilizar el instrumento con un cable blindado y poner a tierra el blindaje en un lado del cable como mínimo.

### Detalles del conexionado (según CiA-DR 303-1)

#### Conector circular, M12 x 1 (5-pin)



Blindaje	1
UB+	2
UB-	3
CAN-High	4
CAN-Low	5

ES

## 5. Puesta en servicio, funcionamiento

Configuración de fábrica y asignación de interruptor DIP (solo para dispositivos con interruptor DIP opcional)

ES

1	2	3	4	5	6	7	8	9	10	
										1
										0
2 <sup>0</sup>	2 <sup>1</sup>	2 <sup>2</sup>	2 <sup>3</sup>	2 <sup>4</sup>	2 <sup>5</sup>	2 <sup>6</sup>	2 <sup>0</sup>	2 <sup>1</sup>	2 <sup>2</sup>	
Node-ID 1 ... 127							Baud rate			
1	1	1	0	0	0	1	0	0	0	1000 kbit/s
1*2 <sup>0</sup>	1*2 <sup>1</sup>	1*2 <sup>2</sup>	0*2 <sup>3</sup>	0*2 <sup>4</sup>	0*2 <sup>5</sup>	1*2 <sup>6</sup>	1	0	0	800 kbit/s
1	2	4	0	0	0	64	0	1	0	500 kbit/s
+							1	1	0	250 kbit/s
= 71							0	0	1	125 kbit/s
Node-ID = 71 <sub>dec</sub> (47 <sub>hex</sub> )							1	0	1	100 kbit/s
							0	1	1	50 kbit/s
							1	1	1	20 kbit/s

Configuración de fábrica: ID de nodo = 1, tasa de baudios = 250 kbit/s  
 Todos los interruptores DIP a 0: configuración desde la memoria interna

## 5. Puesta en servicio, funcionamiento

### 5.3 Puesta en servicio de instrumentos CANopen

Conectar la interfaz CAN (p. ej. USB PEAK PCAN) con el ordenador y el presostato..

Iniciar el software CAN (p. Ej. PEAK PCAN-View)

Prestar atención de utilizar el correcto número de bits y el ID de nodo del sensor de presión.



Para más información véase “Guía de inicio rápido” en “Instrucciones adicionales”.

ES

### Diseño PDO

#### Estructura de telegrama PDO

ID Identifier	DLC 4	Byte 0 Process value	Byte 1	Byte 2	Byte 3
---------------	----------	-------------------------	--------	--------	--------

La estructura de la PDO síncrona y asíncrona es idéntica.

El identificador de la PDO se puede configurar a través del objeto 1800h.

Configuración de fábrica: 180h + ID de nodo

El byte 0 al byte 3 contienen el valor del proceso configurado actualmente.

La codificación corresponde al DS 301, capítulo 9.1.4.5.

El byte 0 representa el "byte menos significativo" y el byte 3 el "byte más significativo".

Configuración de fábrica: Objeto 20 90 subíndice 0

Se utiliza el siguiente tipo de datos INTEGER:

#### Tipo de datos INTEGER

Octet number	0.	1.	2.	3.
INTEGER 32	$b_7 \dots b_0$	$b_{15} \dots b_8$	$b_{23} \dots b_{16}$	$b_{31} \dots b_{24}$

## 6. Errores

### 6. Errores



#### ¡CUIDADO!

##### **Lesiones corporales, daños materiales y del medio ambiente**

Si no se pueden solucionar los defectos aplicando las medidas mencionadas se debe poner el sensor de presión inmediatamente fuera de servicio.

- ▶ Asegurar que el dispositivo no queda expuesto a presión o una señal y protegerlo contra usos accidentales.
- ▶ Contactar con el fabricante.
- ▶ Si desea devolver el instrumento, observar las indicaciones en el capítulo 8.2 “Devolución”.



#### ¡ADVERTENCIA!

##### **Lesiones corporales, daños materiales y del medio ambiente causados por medios peligrosos**

En caso de contacto con medios peligrosos (p. ej. oxígeno, acetileno, inflamables o tóxicos) medios nocivos para la salud (p. ej. corrosivas, tóxicas, cancerígenas radioactivas) y con sistemas de refrigeración o compresores existe el peligro de lesiones corporales, daños materiales y del medio ambiente.

- ▶ En caso de fallo es posible que haya medios agresivos con temperaturas extremas o de bajo presión o que haya un vacío en el instrumento.
- ▶ Con estos medios deben observarse en cada caso, además de todas las reglas generales, las disposiciones pertinentes.

Datos de contacto ver capítulo 1 “Información general” o parte posterior del manual de instrucciones.

En caso de averías, verificar en primer lugar la conexión mecánica y eléctrica del sensor de presión.

En caso de reclamación injustificada se facturarán los costes de tramitación.

Errores	Causas	Medidas
Señal de salida ausente/errónea	Cable roto	Comprobar el paso
	Energía auxiliar errónea/ausente o golpe de corriente	Corregir la alimentación auxiliar véase la placa de identificación
	Error de cableado	Corregir conexonado. véase la placa de identificación



## 6. Errores

Errores	Causas	Medidas
Desviación de señal de punto cero	Posición de montaje diferente	Corregir el punto cero mediante el controlador o el software
	Se sobrepasó la sobrecarga máxima	Observar la seguridad de sobrecarga admisible
	Temperatura de utilización demasiado alta/baja	Observar las temperaturas admisibles
La señal de salida no cambia cuando cambia la presión	Sobrecarga mecánica por sobrepresión	Sustituir el instrumento; consultar al fabricante si falla repetidas veces
	Energía auxiliar errónea o golpe de corriente	Sustituir el instrumento; consultar al fabricante si falla repetidas veces
Superficie de la caja caliente	Cortocircuito interno	Sustituir el instrumento
Insuficiente span de señal	Corriente auxiliar demasiado alta/baja	Corregir la alimentación auxiliar véase la placa de identificación
Alcance de señal se cae	Penetración de humedad en la conexión eléctrica	Efectuar correctamente la conexión eléctrica
Span de señal oscilante	Fuentes de interferencias CEM en el entorno, p. ej. convertidor de frecuencia	Blindar el instrumento; blindaje del cable, quitar la fuente de interferencias
	Presión oscilante del medio	Amortiguación; asesoramiento por parte del fabricante
	Alimentación auxiliar oscilante	Estabilizar y suprimir perturbaciones de la alimentación auxiliar
Span de señal cae/insuficiente	Sobrecarga mecánica por sobrepresión (p. ej. daños en la membrana)	Sustituir el instrumento; consultar al fabricante si falla repetidas veces

ES

## 6. Errores

### Codificación de fallos (mensajes de emergencia)

La siguiente información se aplica solo a los mensajes de fallos que se envían a través de mensajes de emergencia. En el registro de fallos solo se admite el fallo 1 (fallo general).

#### Mensaje de emergencia (EMCY) (envía esclavo)

##### Estructura de telegrama

ID	DLC	Byte 0	Byte 1	Byte 2
80h + ID de nodo	8	LSB; Codificación de fallos de emergencia	MSB; Codificación de fallos de emergencia	Registro de fallos (1001h)
Byte 3	Byte 4	Byte 5	Byte 6	Byte 7
Fallo específico del fabricante	Fallo específico del fabricante	Sin usar	Sin usar	Sin usar

Código de error	Significado
00 00h	Sin fallo
10 00h	Fallo general
FF 00h	Fallo específico del instrumento

Byte 3	Byte 4	Byte 5	Byte 6	Byte 7
XXXX XXX1: Error de escritura EPROM XXXX XX1X: Sin usar XXXX X1XX: Exceso de presión máx. permitido XXXX 1XXX: Exceso de presión mín. permitido	Error interno	00h Sin usar	00h Sin usar	00h Sin usar

## 7. Mantenimiento y limpieza / 8. Desmontaje, devolución y eliminación

### 7. Mantenimiento y limpieza

#### 7.1 Mantenimiento

Este sensor de presión no requiere mantenimiento.

Todas las reparaciones solamente las debe efectuar el fabricante.

#### 7.2 Limpieza



##### **¡CUIDADO!**

##### **Productos de limpieza inadecuados**

Una limpieza con productos de limpieza inadecuados puede dañar el instrumento y la placa de identificación.

- ▶ No utilizar productos de limpieza agresivos.
- ▶ No utilizar ningún objeto puntiagudo o duro.
- ▶ No utilizar trapos o esponjas que podrían restregar.

##### **Productos de limpieza adecuados**

Agua, detergente lavavajillas habitual

##### **Limpiar el dispositivo**

1. Interrumpir la alimentación de presión y de corriente del sensor de presión.
2. Limpiar la superficie del instrumento con un trapo suave y húmedo.

## 8. Desmontaje, devolución y eliminación de residuos

### 8.1 Desmontaje



##### **¡ADVERTENCIA!**

##### **Lesiones corporales, daños materiales y del medio ambiente causados por medios peligrosos**

En caso de contacto con medios peligrosos (p. ej. oxígeno, acetileno, inflamables o tóxicos) medios nocivos para la salud (p. ej. corrosivas, tóxicas, cancerígenas radioactivas) y con sistemas de refrigeración o compresores existe el peligro de lesiones corporales, daños materiales y del medio ambiente.

- ▶ En caso de fallo es posible que haya medios agresivos con temperaturas extremas o de bajo presión o que haya un vacío en el instrumento.
- ▶ Utilizar el equipo de protección necesario.

## 8. Desmontaje, devolución y eliminación de residuos

### Desmontaje del instrumento

1. Interrumpir la alimentación de presión y de corriente del sensor de presión.
2. Desconectar la conexión eléctrica.
3. Destornillar el sensor de presión mediante una llave de tornillos utilizando las áreas para llave.

### 8.2 Devolución

#### Es imprescindible observar lo siguiente para el envío del instrumento:

Todos los instrumentos enviados a WIKA deben estar libres de sustancias peligrosas (ácidos, lejías, soluciones, etc.) y, por lo tanto, deben limpiarse antes de devolver.



#### ¡ADVERTENCIA!

#### Lesiones corporales, daños materiales y del medio ambiente por medios residuales

Medios residuales en el instrumento desmontado pueden causar riesgos para personas, medio ambiente e instalación.

- ▶ En caso de sustancias peligrosas adjuntar la ficha de datos de seguridad correspondiente al medio.
- ▶ Limpiar el dispositivo, consultar el capítulo 7.2 "Limpieza".

Utilizar el embalaje original o un embalaje adecuado para la devolución del instrumento.



Comentarios sobre el procedimiento de las devoluciones encuentra en el apartado "Servicio" en nuestra página web local.

### 8.3 Eliminación de residuos

Una eliminación incorrecta puede provocar peligros para el medio ambiente.

Eliminar los componentes de los instrumentos y los materiales de embalaje conforme a los reglamentos relativos al tratamiento de residuos y eliminación vigentes en el país de utilización.



No eliminar junto a la basura doméstica. Asegurar la eliminación adecuada de acuerdo con las regulaciones nacionales.

## 9. Datos técnicos

## 9. Datos técnicos

### Datos técnicos

<b>Rangos de medición [bar]</b>	0,25	0,4	0,6	1	1,6	2,5	4	6	10	16
	25	40	60	100	160	250	400	600	1.000 (solamente para modelo D-20-9)	
<b>Sobrecarga máxima</b>	<p>Rangos de medición <math>\leq 1,6</math> bar: 5 veces el fondo de escala  Rangos de medición 2,5 ... 16 bar: 4 veces el fondo de escala (rango de medición 10 bar: 3 veces el fondo de escala)  Rangos de medición 25 ... 600 bar: 2 veces el fondo de escala  Rango de medición 1.000 bar: 1,5 veces el fondo de escala</p>									
<b>Material</b>	<p>Partes en contacto con el medio  Modelo D-20-9: acero inoxidable  Modelo D-21-9: acero inoxidable (opción: Hastelloy); junta tórica: NBR (opción: FPM/FKM o EPDM)</p> <p>Caja: acero inoxidable</p> <p>Para otros materiales, véase programa de separadores de WIKA</p>									
<b>Líquido interno de transmisión</b>	<p>Aceite sintético  Aceite halocarbono para versiones para aplicaciones de oxígeno (opción)  Conforme a FDA para la industria alimentaria (opción)</p> <p>Sin líquido de transmisión en caso de modelo D-20-9 con rango de medición <math>&gt; 25</math> bar</p>									
<b>Alimentación auxiliar U+</b>	DC 10 ... 30 V									
<b>Señal de salida</b>	Protocolo CANopen según CiA DS-301 V.4.02, perfil del instrumento DS-404 V.1.2									
<b>Consumo de energía eléctrica</b>	<p><math>&lt; 0,5</math> W  <math>&lt; 0,7</math> W con aislamiento galvánico (opción)</p>									
<b>Servicios de comunicación</b>	<p>LSS Services (CiA DSP 305, versión 1.1.1)  Configuración de la dirección de instrumento y baud rate  Sync/Async, Node/Lifeguarding, Heartbeat  Filtro programable individualmente para, por ej., eliminar de manera selectiva el efecto de las frecuencias de resonancia</p>									
<b>Tiempo de ajuste (10 ... 90 %)</b>	1,5 ms (baud rate $\geq 125$ K)									
<b>Frecuencia interna de medición</b>	1.000 Hz (ajustable hasta aprox. 4 Hz)									

ES

## 9. Datos técnicos

### Datos técnicos

<b>Tensión de aislamiento</b>	DC 500 V
<b>Exactitud</b>	$\leq \pm 1 \%$ del span $\leq \pm 0,5 \%$ del span (opción) $\leq \pm 0,3 \%$ del span (opción, no posible en combinación con interruptor DIP)
	<p>Incluye no linealidad, histéresis, desviación del punto cero y de valor final (corresponde a desviación de valor de medición según IEC 61298-2). Calibrado en posición vertical, conexión a proceso hacia abajo.</p> <p>En presencia de campos electromagnéticos potentes en el rango de frecuencia de <math>&lt; 2,7</math> GHz pueden producirse errores de medición importantes de hasta el 1 % del span. No instale los instrumentos cerca de fuentes de interferencia electromagnética potentes (p. ej., aparatos emisores, equipos radioeléctricos) o utilice un filtro de corriente.</p>
<b>No linealidad</b>	$\leq \pm 0,2 \%$ del span (BFSL) seg. IEC 61298-2
<b>No repetibilidad</b>	$\leq 0,1 \%$ del span
<b>Estabilidad a largo plazo</b>	$\leq \pm 0,2 \%$ del span/año (en condiciones de referencia)
<b>Rangos de temperatura admisibles</b>	
Medio	-30 ... +100 °C -40 ... +125 °C (opción)
Ambiente	-20 ... +80 °C
Almacenamiento	-40 ... +100 °C
<b>Rango de temperatura compensado</b>	0 ... 80 °C
<b>Coefficientes de temperatura el el rango de temperatura compensada</b>	
CT medio del punto cero	$\leq 0,2$ del span / 10 K
CT medio del span	$\leq 0,2$ del span / 10 K
<b>Resistencia a choques</b>	500 g según IEC 60068-2-27 (choque mecánico)

ES

## 9. Datos técnicos

Datos técnicos	
<b>Resistencia a la vibración</b>	Versión con DIP switch: 20 g según IEC 60068-2-6 (vibración con resonancia) Versión sin DIP switch: 10 g según IEC 60068-2-6 (vibración con resonancia)
<b>Protección eléctrica</b>	Protección contra inversión de polaridad UB+ contra UB-
<b>Tipo de protección</b>	IP67 El tipo de protección indicado sólo es válido con los conectores eléctricos conectados según el tipo de protección correspondiente.
<b>Peso</b>	aprox. 200 g aprox. 300 g con pieza tipo Y incorporada
<b>Limitaciones de la versión para oxígeno</b>	Modelo D-21-9 no disponible. El modelo D-20-9 solo es posible con temperatura media -20... +60 °C y piezas en contacto con el medio de acero inoxidable o Elgiloy®.  Elgiloy® es una marca de la empresa "Specialty Metals"
<b>Declaración de conformidad UE</b>	<ul style="list-style-type: none"><li>■ Directiva CEM, EN 61326 Emisión (grupo 1, clase B) y resistencia a interferencias (ámbito industrial)</li><li>■ Directiva de equipos a presión</li><li>■ Directiva RoHS</li></ul>

ES

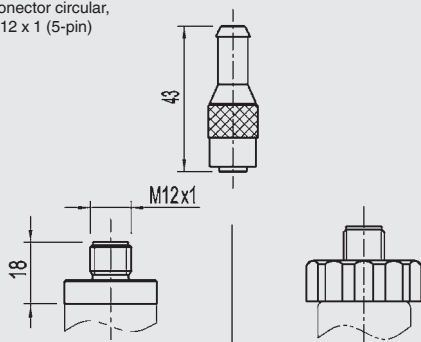
Para más datos técnicos, consulte la hoja técnica de WIKA PE 81.39 y la documentación de pedido.

## 9. Datos técnicos

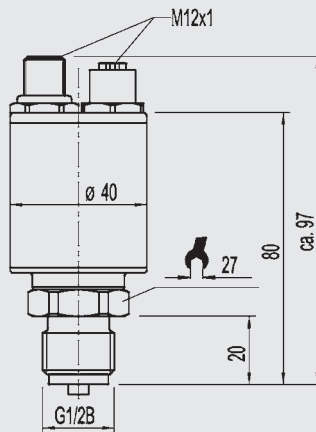
### Dimensiones en mm

#### Conexiones eléctricas

Conector circular,  
M12 x 1 (5-pin)

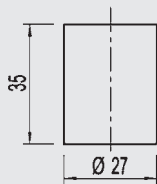


Dos conectores circulares M12 x 1 (5-pin)  
Macho y hembra (con conector tipo Y)

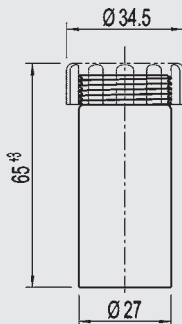


#### Caja

Caja con tapa soldada



Caja con opción de DIP switch o  
aislamiento galvánico

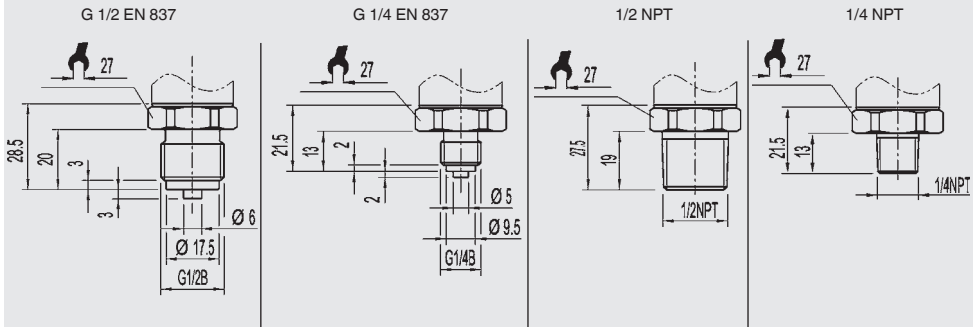


La variante mostrada en la figura puede combinarse con  
todas las conexiones a proceso mencionadas.



## 9. Datos técnicos

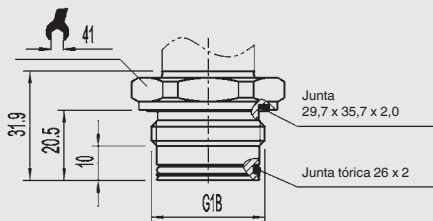
### Conexiones a proceso D-20-9



### Conexiones a proceso D-21-9, aflorantes

G 1

0 ... 0,1 a 0 ... 1,6 bar



G 1/2

a partir de 1,6 bar

